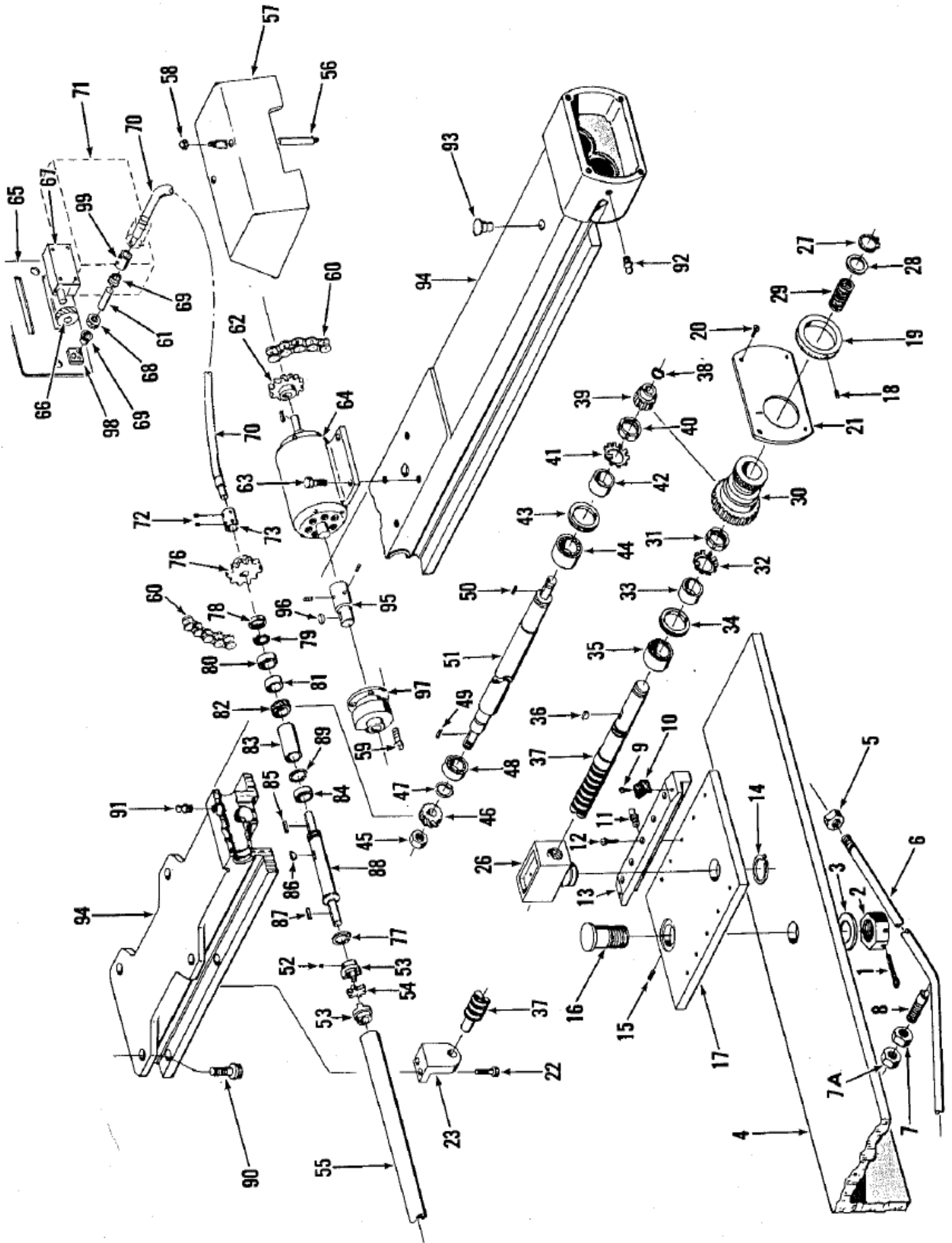


FRAME

- | | |
|---|--|
| <p>2. Guard (End — Specify Right Or Left Hand)</p> <p>3. Guard</p> <p>5. Cylinder Mounting Socket Head Cap Screw</p> <p>6. Holddown Cylinder (Replacements Available)</p> <p>7. Holddown Socket Head Cap Screw</p> <p>8. Holddown Beam</p> <p>9. Fastening Bolt</p> <p>10. Mounting Bracket</p> <p>10A Shock Mount</p> <p>11. Lamp</p> <p>12. Socket</p> <p>13. Channel</p> <p>14. Foot Switch</p> <p>15. Control Box</p> <p>16. Nut</p> <p>17. Dove Tail Bolt</p> <p>18. Front Bracket</p> <p>19. Scale Mounting Screw & Washer</p> <p>20. Bed Scale</p> <p>21. Side Gage Mounting Bolt</p> <p>22. Side Gage</p> <p>23. Bed Mounting Bolt</p> <p>24. Washer</p> <p>25. Bed Adjusting Bolt</p> <p>26. Locknut</p> <p>27. Bed Adjustment Cover</p> <p>28. Sleeve Bolt</p> <p>29. Nut & Washer</p> <p>30. Reservoir Mounting Bolt</p> <p>31. Reverse Key Plow Bolt</p> <p>32. Fixed Blade</p> <p>33. Belleville Spring Assembly</p> <p>34. Bed Adjusting Sleeve</p> <p>35. Plate Mounting Bolt</p> <p>36. Front Cover Plate</p> <p>37. Bed</p> <p>38. Reservoir & Pump Assembly</p> <p>39. Pocket Cover</p> <p>40. End Cover Plate (Specify Right Or Left Hand)</p> <p>41. Retaining Ring</p> | <p>42. Frame Cylinder Pin</p> <p>43. Retaining Ring</p> <p>44. Ram Cylinder Pin</p> <p>45. R.H. Main Cylinder — See Separate Part List</p> <p>46. L.H. Main Cylinder (Not Shown) — See Separate Part List</p> <p>47. Backing Mounting Bolt</p> <p>48. Liner Backing</p> <p>49. Liner Mounting Screw</p> <p>50. Front Gib Liner</p> <p>51. Liner Mounting Screw</p> <p>52. Rear Gib Liner</p> <p>53. Reverse Key Plow Bolt</p> <p>54. Moving Blade</p> <p>55. Nut & Washer</p> <p>56. Backgage (See Separate Part List)</p> <p>57. Brace Rod Nut</p> <p>58. R.H. Brace Rod</p> <p>59. Turn Buckle</p> <p>60. L.H. Brace Rod</p> <p>61. Brace Rod Bolt</p> <p>62. Adjusting Nut</p> <p>62A Lock Nut</p> <p>63. Ram</p> <p>64. Frame (One Piece)</p> <p>65. Hand Wheel</p> <p>66. Roll Pin</p> <p>67. Stroke Control Rod</p> <p>68. Jam Nuts</p> <p>69. Stroke Control Bar</p> <p>70. Stroke Control Guide</p> <p>71. Limit Switch</p> <p>72. Limit Switch Angle</p> <p>73. Jam Nut</p> <p>74. Limit Switch Stop</p> <p>75. Angle Screw</p> <p>76. Guide Screw</p> <p>77. Limit Switch</p> <p>78. Blade Guard</p> <p>79. Dial Indicator</p> <p>80. Pin</p> <p>81. Adjusting Screw Mount Block</p> |
|---|--|



BACKGAGE

- | | | |
|--|---|--|
| <p>1. Cotter Pin
 2. Castle Nut
 3. Washer
 4. Gage Bar
 5. Brace Rod Nuts
 6. Brace Rod
 7. Jam Nut
 7A Brace Rod Bolt Adjusting Nut
 8. Brace Rod Bolt
 9. Wiper Fastening Screw
 10. Wiper
 11. Lube Fitting
 12. Slide Cap Fastening Screw
 13. Slide Cap
 14. Retaining Ring
 15. Set Screw
 16. Slide Stud
 17. Slide
 18. Set Screw
 19. Indicating Collar
 20. Plate Mounting Screw
 21. Gear Cover Plate
 22. Support Mounting Screw
 23. Screw Support</p> | <p>33. Bearing Spacer
 34. Bearing Nut
 35. Bearing
 36. Adjusting Collar Key
 37. Adjusting Screw
 38. Retaining Ring
 39. Adjusting Gear
 40. Locknut
 41. Lockwasher
 42. Bearing Spacer
 43. Bearing Nut
 44. Bearing
 45. Retaining Nut
 46. Worm Gear
 47. Retaining Ring
 48. Bearing
 49. Worm Gear Key
 50. Collar Key
 51. Intermediate Shaft
 52. Set Screw
 53. Coupling Half
 54. Coupling Insert
 55. Connecting Shaft
 56. Mounting Rod
 57. Guard
 58. Acorn Nut
 59. Mounting Screw
 60. Chain
 61. Pinion Shaft
 62. Motor Sprocket
 63. Motor Mounting Screw
 64. Motor
 65. Indicator Cover</p> | <p>66. Counter Helical Gear
 67. Counter
 68. Shaft Helical Gear
 69. Bushing
 70. Flexible Shaft
 71. Indicator Bracket
 72. Set Screw
 73. Shaft Adapter
 76. Driveshaft Sprocket
 77. Outside Retaining Ring
 78. Locknut
 79. Lockwasher
 80. Bearing
 81. Gear Spacer
 82. Helical Gear
 83. Bearing Spacer
 84. Bearing
 85. Coupling Key (Used only with Part No. 53)
 86. Helical Gear Key
 87. Coupling Key (Used only with Part No. 53)
 88. Drive Shaft
 89. Inside Retaining Ring
 90. Bracket Mounting Screw
 91. Center Gear Case Lube Fitting
 92. End Gear Case Lube Fitting
 93. Oil Cup
 94. Gage Brackets
 95. Shaft Extension
 96. Woodruff Key
 97. Brake
 98. Retainer
 99. Coupling</p> |
|--|---|--|

MAIN HYDRAULIC CYLINDER (Niagara Type)

- 1. Clevis
- 2. Wiper Seal
- 3. Capscrew
- 4. Packing Gland
- 5. Rod Seal
- 6. Cylinder Assembly

