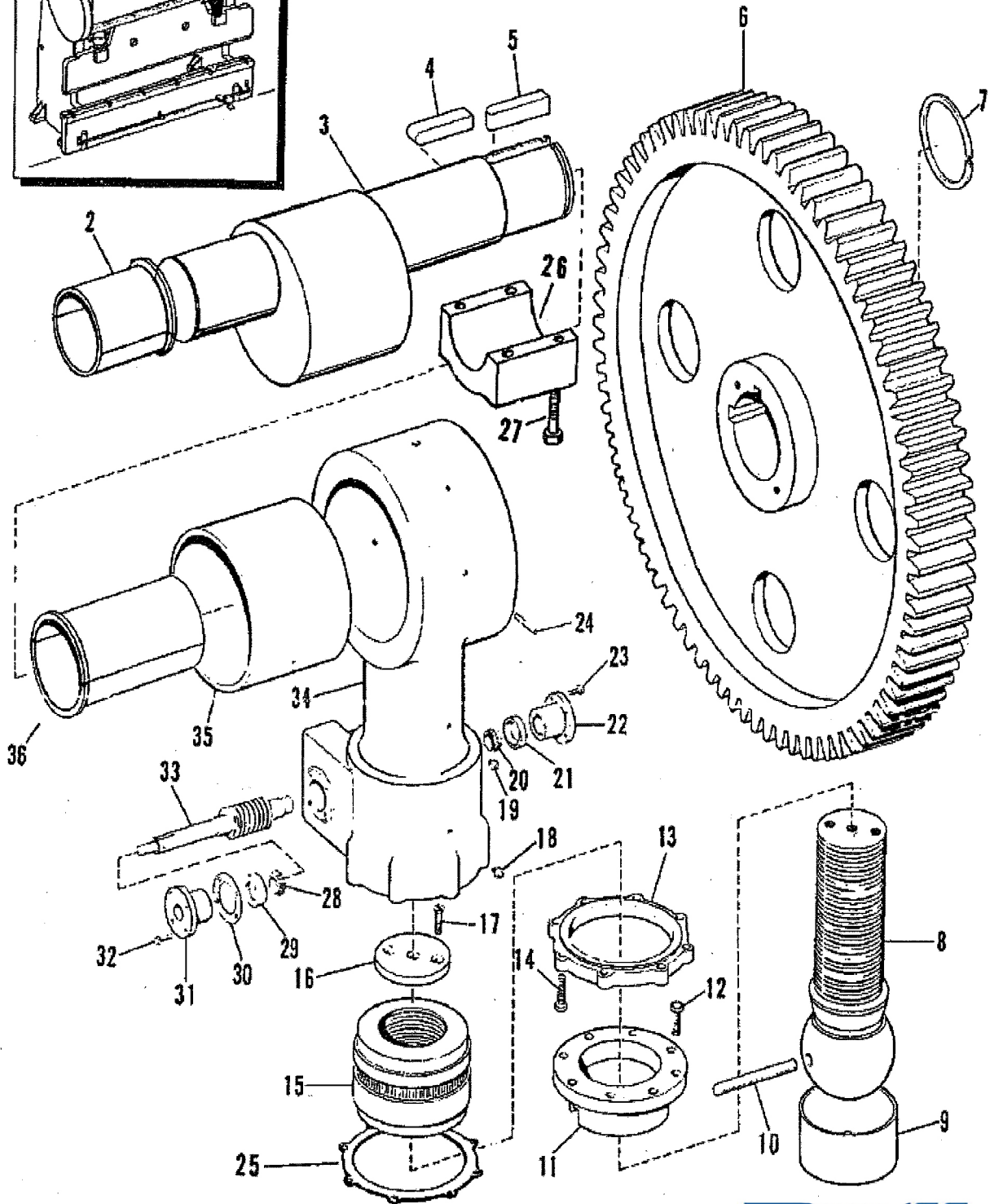
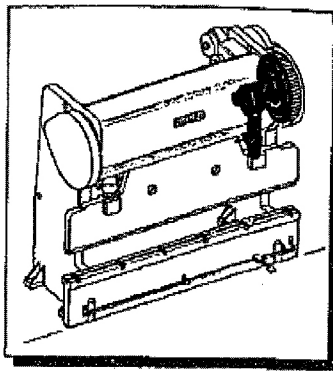


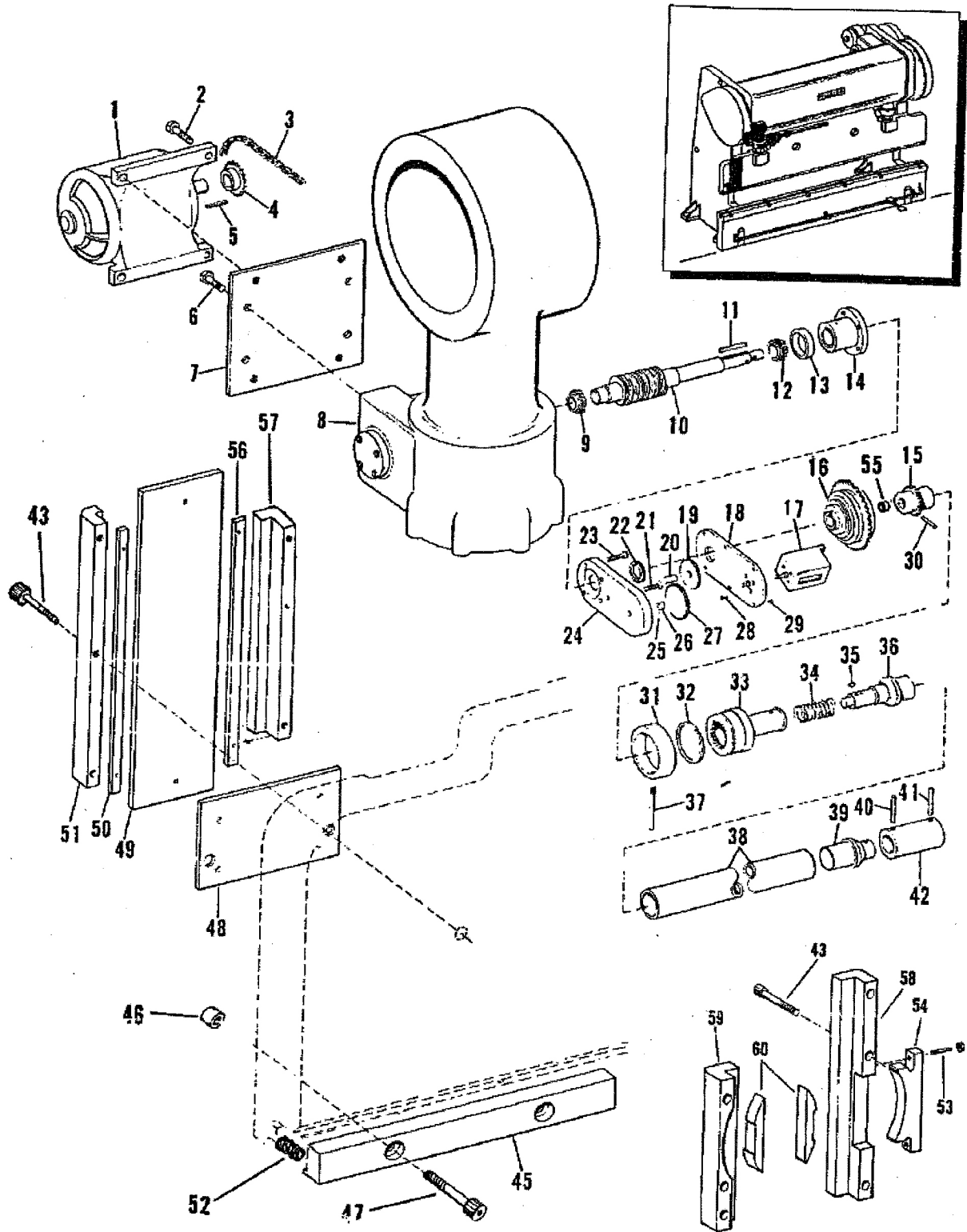
FRAME, RAM, BED

1. Ram
2. Die Lifting Pin
3. Gear Box Cover
4. Cover Bolt
5. Motor Bracket
6. Motor Bracket Bolt
7. Main Frame
8. Bed
9. Bed Shoe
10. Bed Shoe Key
11. Key Locking Bolts
12. Gear Guard Bolts
13. Gear Guard Mounting Bolts
14. Inner Gear Guard Plate
15. Gear Guard



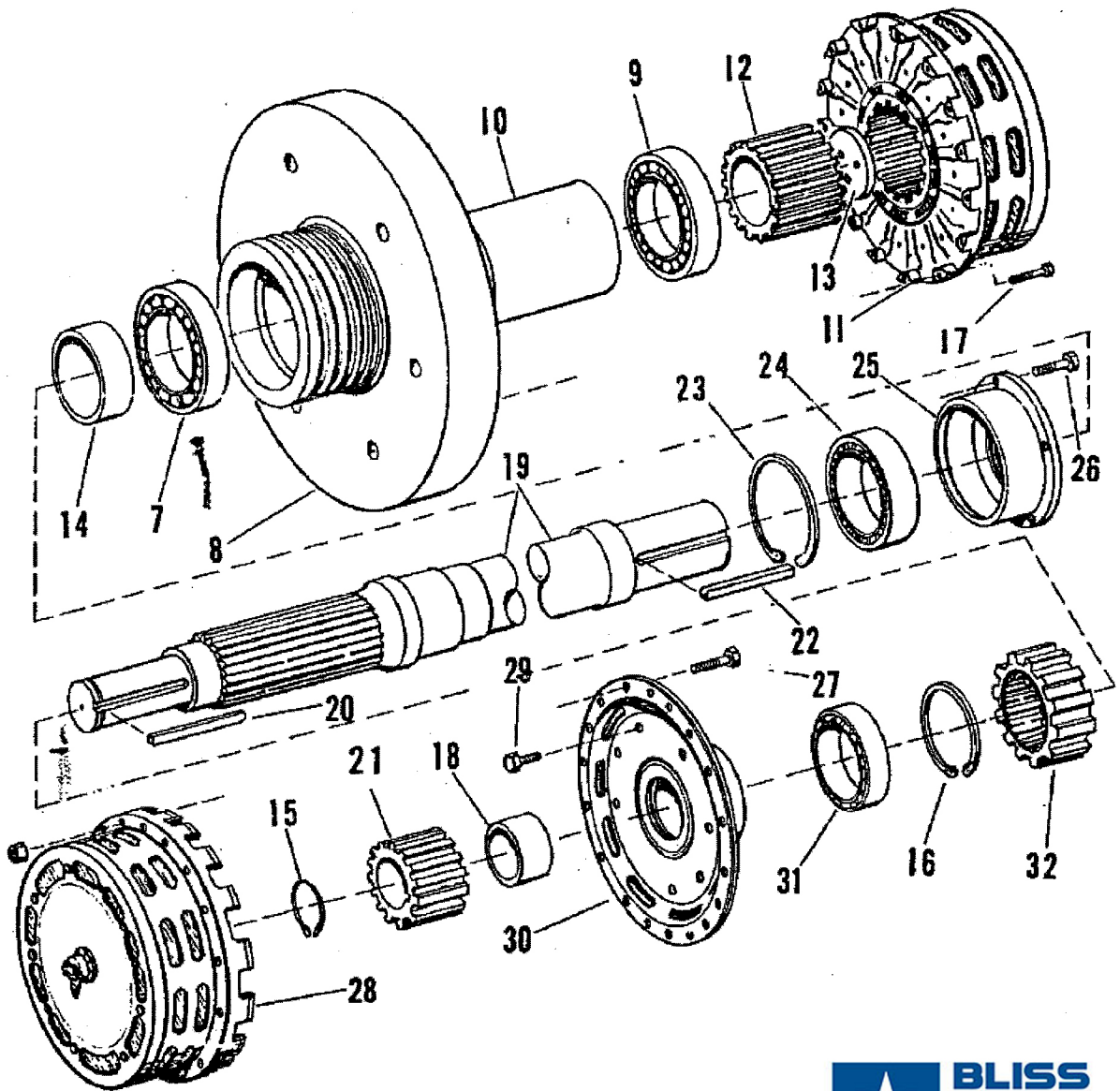
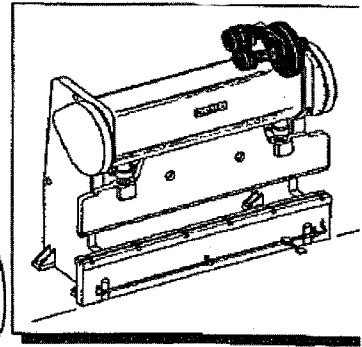
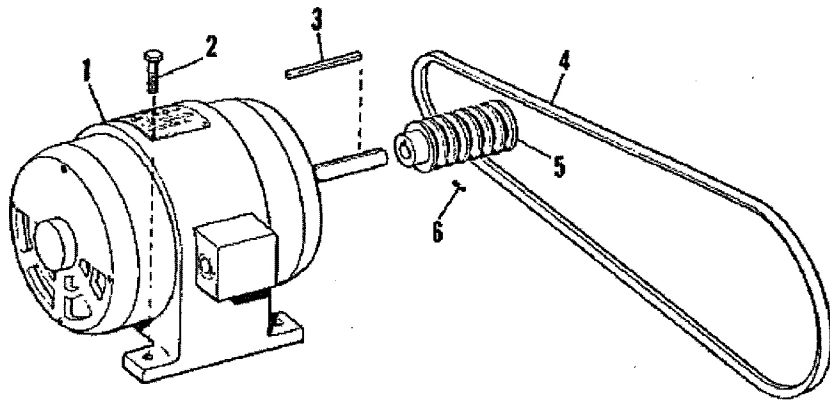
RIGHT HAND CONNECTION

2. Inboard Eccentric Shaft Bushing
3. Eccentric Shaft
4. Bull Gear Key
5. Bull Gear Key
6. Bull Gear
7. Retaining Ring
8. Ball Screw
9. Ball Seat
10. Thrust Pin
11. Ball Screw Cap
12. Ball Cap Bolts
13. Eccentric Connection Cap
14. Eccentric Connection Cap Stud
15. Ball Screw Adjusting Nut
16. Ball Screw Down Stop Plate
17. Stop Plate Screws
18. Grease Fitting
19. Grease Fitting
20. Outboard Worm Shaft Bearing
21. Bearing Outer Race
22. Outboard Bearing Retainer
23. Bearing Retainer Bolt
24. Eccentric Bushing Pin
25. Connection Cap Shims
26. Outer Bearing Caps
- 26a. Inner Bearing Caps (not shown)
27. Bearing Cap Bolts
28. Inboard Worm Shaft Bearings
29. Bearing Outer Race
30. Bearing Retainer Shim
31. Inboard Bearing Retainer
32. Bearing Retainer Bolt
33. R.H. Worm Shaft
34. R.H. Eccentric Connection
35. Eccentric Bushing
36. Outboard Eccentric Bushing



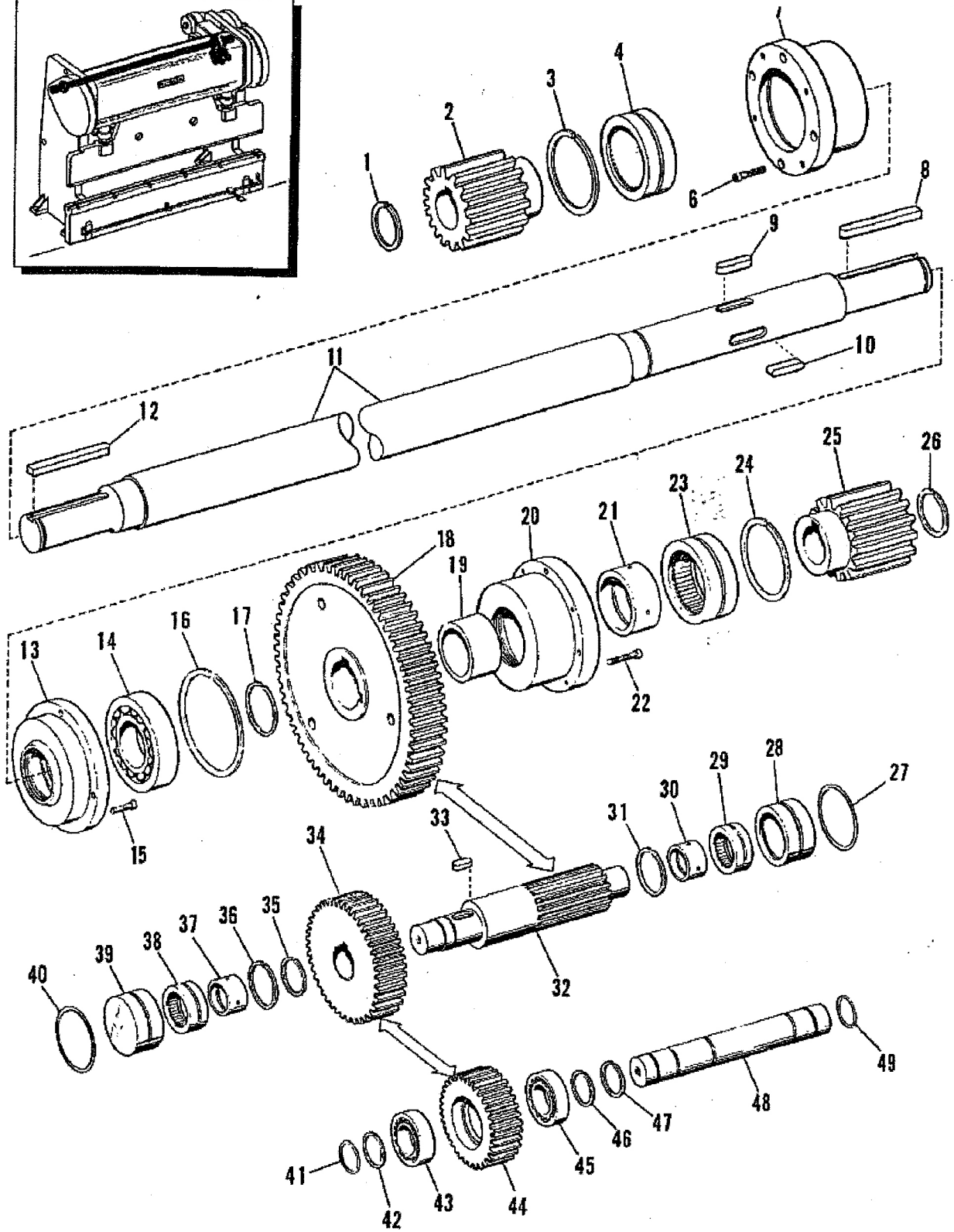
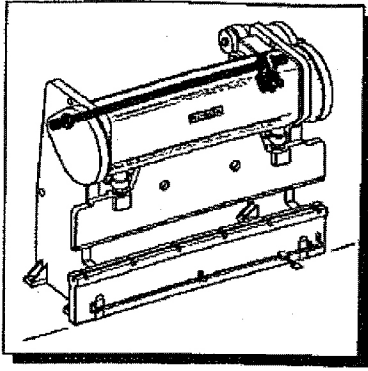
RAM ADJUSTING SHAFT AND LEFT HAND CONNECTION

1. Main Adjusting Motor
2. Motor Mounting Bolt
3. Adjusting Chain
4. Motor Sprocket
5. Sprocket Key
6. Motor Bracket Bolt
7. Motor Bracket
8. L.H. Eccentric Connection
9. Outboard Worm Shaft Bearing
10. L.H. Worm
11. Torque Limiter Key
12. Inboard Worm Shaft Bearing
13. Bearing Outer Race
14. Bearing Retainer
15. Adjusting Shaft Coupling Gear
16. Torque Limiter
17. L.H. Counter
18. Counter Drive Cover
19. Counter Drive Idler Gear
20. Idler Gear Shaft
21. Flat Head Gear Box Mounting Screw
22. Main Counter Drive Gear
23. Allen Head Gear Box Mounting Screw
24. Counter Gear Box
25. Counter Shaft Bushing
26. Counter Shaft Key
27. Counter Shaft Gear
28. Counter Mounting Screws
29. Gear Box Cover Screws
30. Coupling Gear Drift Pin
31. Operating Ring for Adjusting Sleeve
32. Coupling Sleeve Snap Ring
33. Adjusting Shaft Coupling Sleeve
34. Spring for Coupling Sleeve
35. Woodruff Key for Coupling Sleeve
36. L.H. Trunnion
37. Operating Ring Handle
38. Ram Adjusting Shaft
39. R.H. Trunnion
40. Drift Pins
41. Drift Pins
42. R.H. Coupling Sleeve
43. Gib Bolt
45. Ram Clamping Bar
46. Clamping Bolt Nut
47. Clamping Bolt
48. Ram Liner Shim (with angle brackets only)
49. Ram Liner
50. Outboard Gib Liner
51. L.H. Outboard Gib
52. Clamping Bar Springs
53. Gib Adjusting Stud
54. Pivot Shoe Retainer
55. Coupling Gear Bushing
56. Inboard Gib Liner
57. L.H. Inboard Gib
58. R.H. Outboard Gib
59. R.H. Inboard Gib
60. Pivot Shoes



MECHANICAL CLUTCH & BRAKE
2 speed drive (335 - 400 ton)

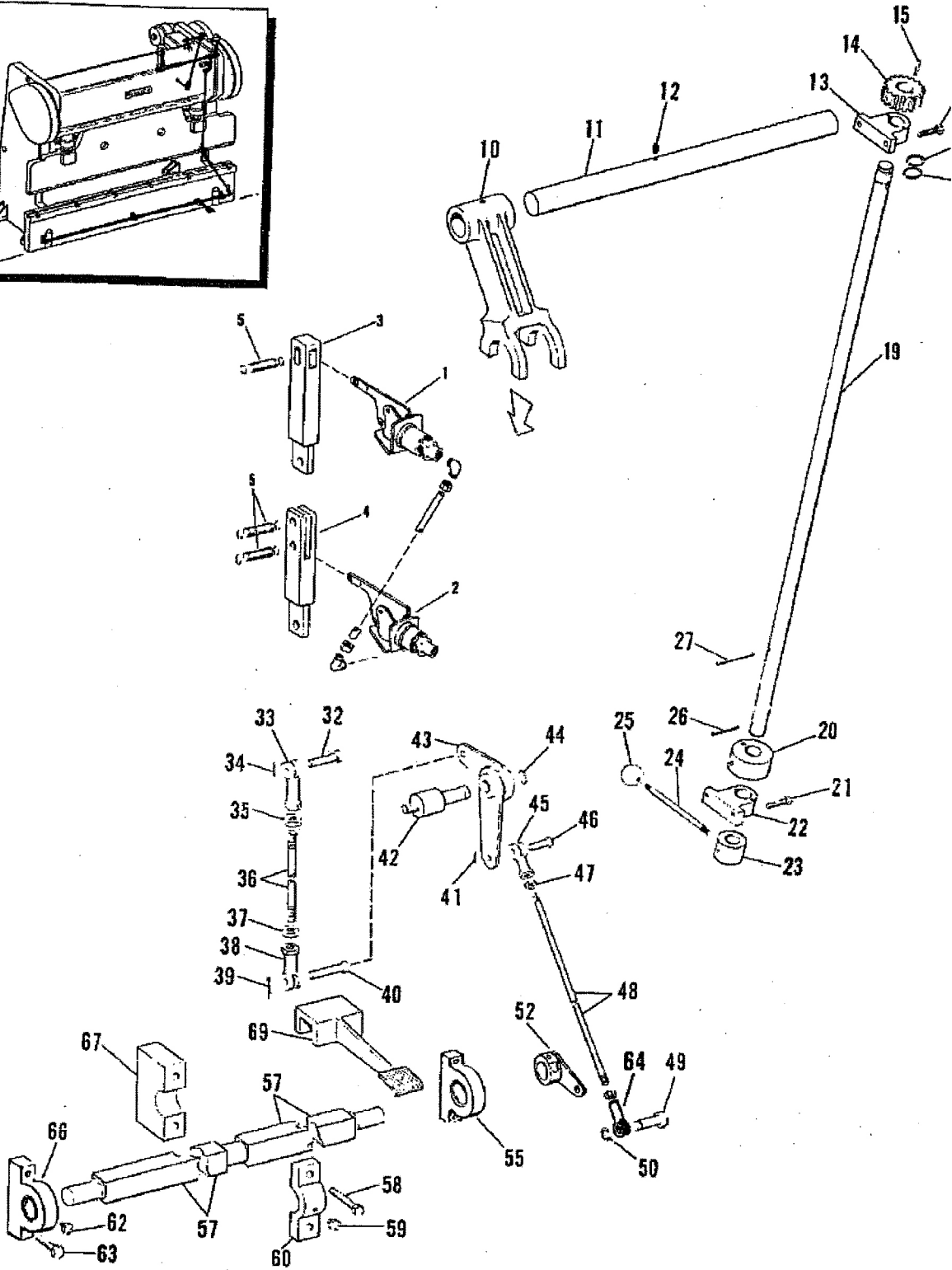
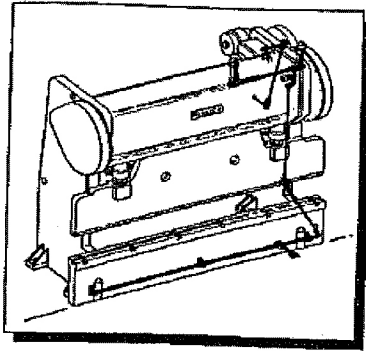
1. Main Motor
2. Main Motor Mounting Bolt
3. Drive Sheave Key
4. Drive Belt
5. Drive Sheave
6. Drive Sheave Locking Screw
7. Flywheel Inner Bearing
8. Flywheel
9. Outer Flywheel Bearing
10. Flywheel Bearing Spacer
11. Air Clutch
12. Driving Hub
13. Driving Hub Retainer
14. Bearing Spacer, Drive Shaft
15. Clutch Hub Retainer Ring
16. L.H. Bearing Retainer Ring, Drive Shaft
17. Clutch Mounting Bolts
18. Brake Hub Spacer
19. Drive Shaft . 2 speed (single speed - page 26. No. 17)
20. Brake Key
21. Brake Hub
22. Clutch Key
23. R.H. Bearing Retainer Ring, Drive Shaft
24. R.H. Bearing, Drive Shaft
25. R.H. Bearing Cartridge, Drive Shaft
26. Bearing Cartridge Bolt, Drive Shaft
27. Brake Mounting Bolt
28. Air Brake
29. Brake Ring Bolt
30. Brake Ring
31. L.H. Bearing, Drive Shaft .
32. High Speed Pinion, Drive Shaft (2 speed drive only)



INTERMEDIATE, LOW SPEED, IDLER SHAFTS

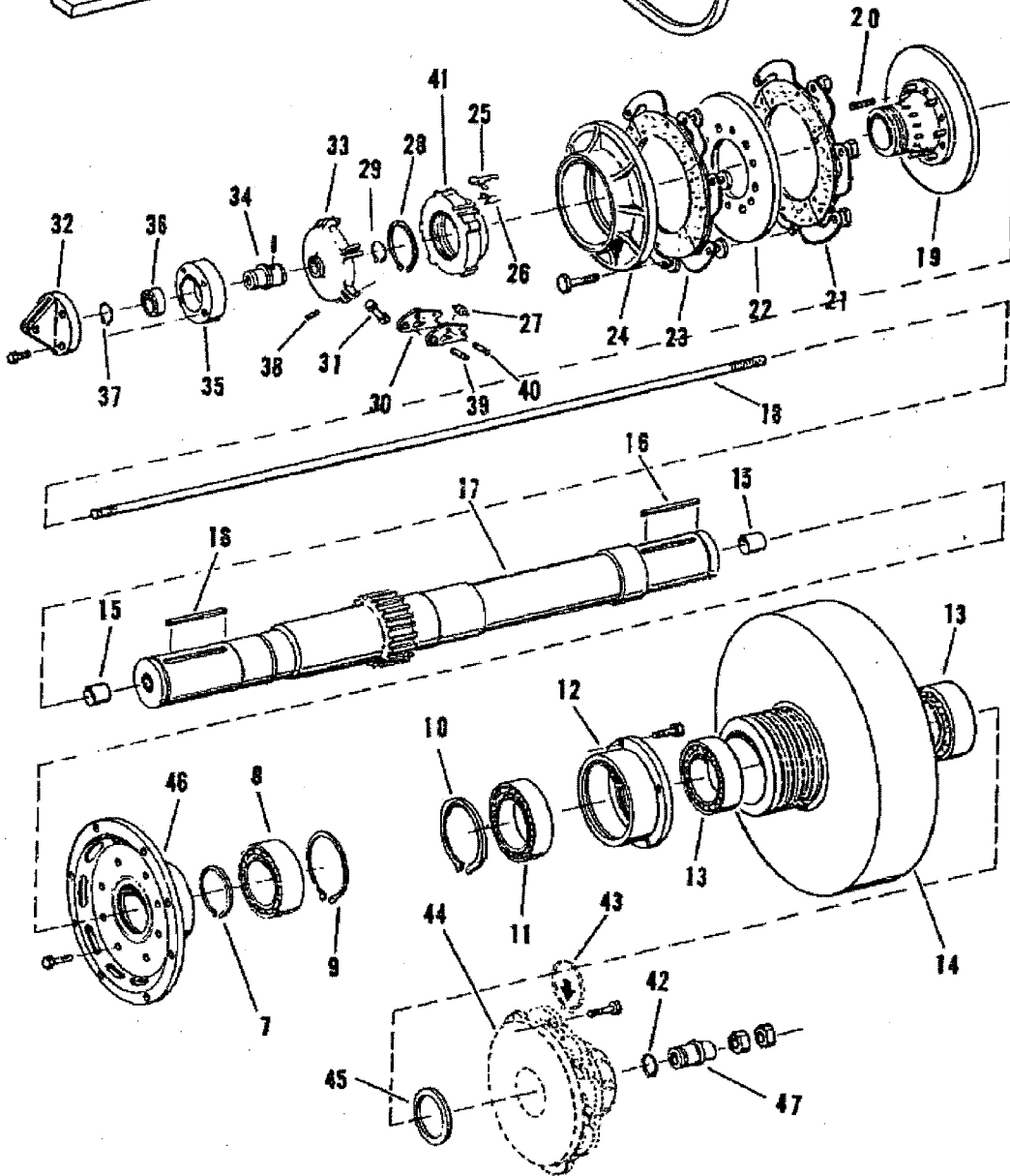
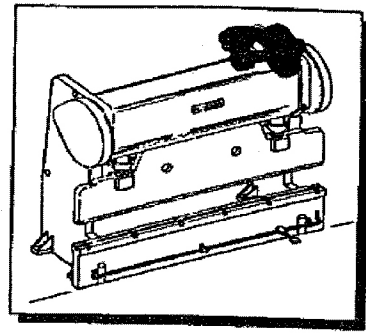
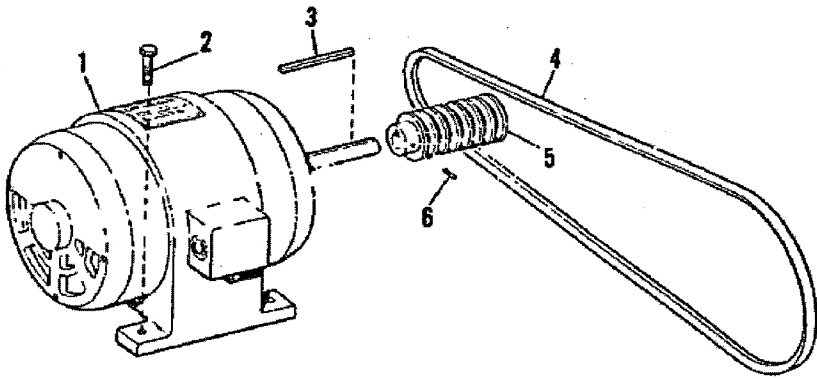
(200 - 260 - 335 - 400 - 520 ton)

1. L.H. Pinion Retainer Ring
2. L.H. Drive Pinion
3. L.H. Bearing Retainer Ring
4. L.H. Bearing, Intermediate Shaft
6. Bearing Cartridge Bolt
7. L.H. Bearing Cartridge
8. R.H. Drive Pinion Key
9. Intermediate Gear Key
10. Intermediate Gear Key
11. Intermediate Shaft
12. L.H. Drive Pinion Key
13. L.H. Bearing Cartridge, Inter. Shaft
14. Bearing, Inter. Shaft
15. Bearing Cartridge Bolt, Inter. Shaft
16. Bearing Retainer Ring
17. Inter. Gear Retainer Ring
18. Intermediate Gear
19. Spacer
20. R.H. Bearing Cartridge, Inter. Shaft
21. Bearing Inner Race
22. R.H. Bearing Cartridge Bolt
23. R.H. Bearing, Inter. Shaft
24. R. & B. Bearing, Retainer Ring
24. R.H. Bearing, Retainer Ring
25. R.H. Drive Pinion
26. R.H. Pinion Retainer Ring
27. "O" Ring
28. R.H. Bearing Cartridge, Low Speed Shaft
29. R.H. Bearing, Low Speed Shaft
30. Bearing Inner Race
31. Bearing Retainer Ring
32. Low Speed Gear Shaft
33. Reducer Gear Key
34. Reducer Gear
35. Reducer Gear Retainer Ring
36. Bearing Retainer Ring
37. Bearing Inner Race
38. L.H. Bearing, Low Speed Shaft
39. L.H. Bearing Cartridge, Low Speed Shaft
40. "O" Ring
41. "O" Ring L.H. Idle Shaft
42. L.H. Idle Gear Bearing Retainer Ring
43. Idler Gear Bearing
44. Idler Gear
45. R.H. Idler Gear Bearing
46. Retainer Ring, R.H. Idler Gear Bearing
47. Retainer Ring, Idler Shaft
48. Idler Shaft
49. "O" Ring, R.H. Idler Shaft



**TREADLE SHAFT, SHIFTING ROD - MECHANICAL CLUTCH
(335 - 400 ton)**

1. Clutch Valve
2. Brake Valve
3. Clutch Valve Link
4. Brake Valve Link
5. Valve Link Pins
10. Gear Shift Fork
11. Shifting Fork Shaft
12. Set Screw
13. Upper Shifting Rod Bracket
14. Shifting Rod Pinion
15. Shifting Rod Pinion Key
16. Bracket Mounting Bolts
17. Shifting Rod Pinion Retainer Rings
18. Shifting Rod Retainer Ring
19. Shifting Rod
20. Upper Shifting Rod Collar
21. Bracket Mounting Bolts
22. Lower Shifting Rod Bracket
23. Lower Shifting Rod Collar
24. Shifting Rod Handle
25. Shifting Rod Handle Grip
26. Lower Rod Collar Drift Pin
27. Upper Rod Collar Drift Pin
32. Clevis Pin
33. Clevis
34. Cotter Pin
35. Clevis Jam Nut
36. Upper Treadle Rod
37. Clevis Jam Nut
38. Clevis
39. Cotter Pin
40. Clevis Pin
41. Cotter Pin
42. Bell Crank Support
43. Lower Treadle Rod Bell Crank
44. Bell Crank Retainer Ring
45. Clevis
46. Clevis Pin
47. Clevis Jam Nut
48. Lower Treadle Rod
49. Lower Treadle Rod Pivot Pin
50. Pivot Pin Retainer Ring
52. Treadle Shaft Bell Crank
55. Pillow Block
57. Treadle Shaft
58. Center Support Bolt
59. Grease Fitting
60. Treadle Shaft Center Support Cap
62. Grease Fitting
63. Mounting Bolts
64. Clevis
66. Pillow Block
67. Treadle Shaft Center Support
69. Treadle



13

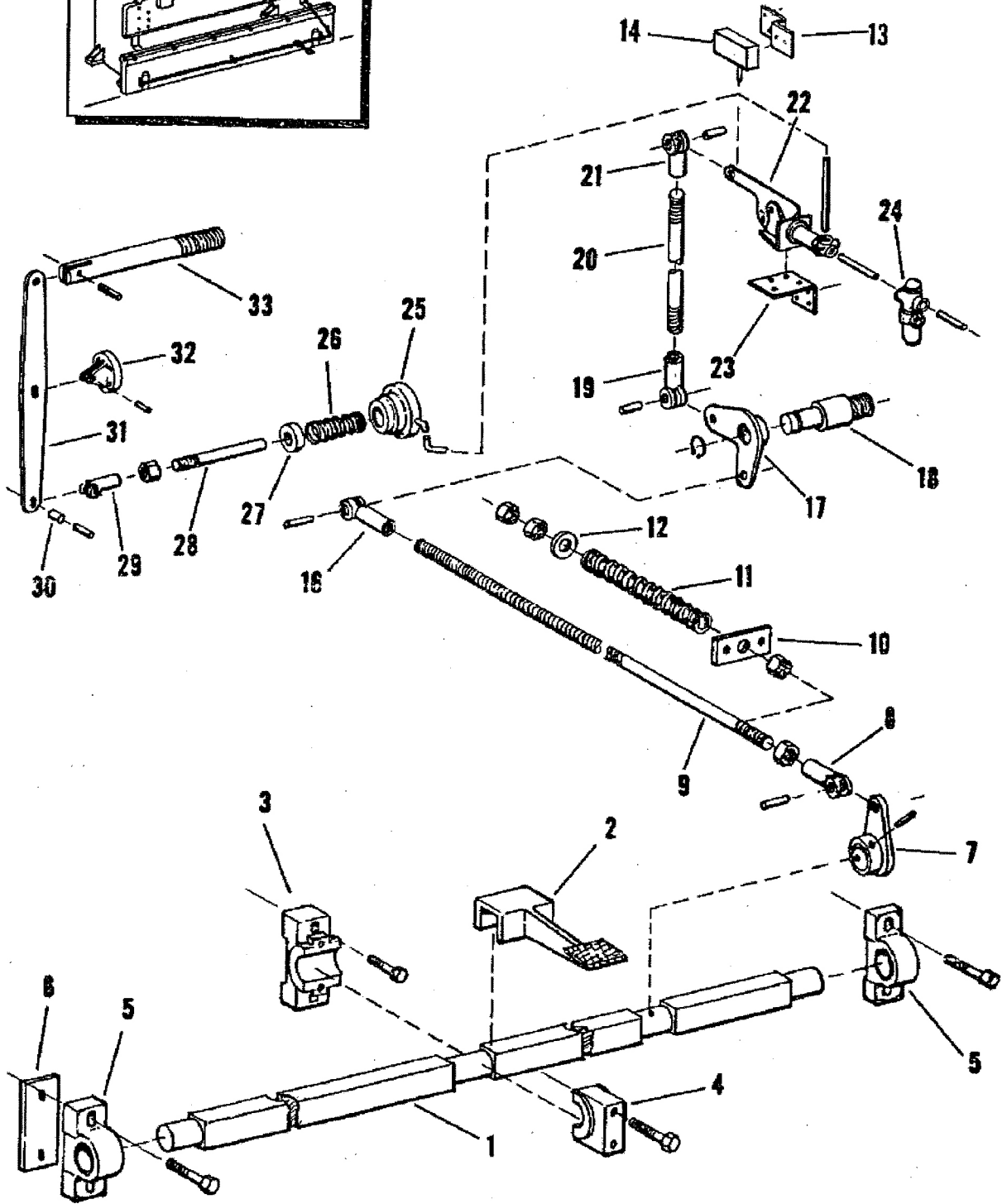
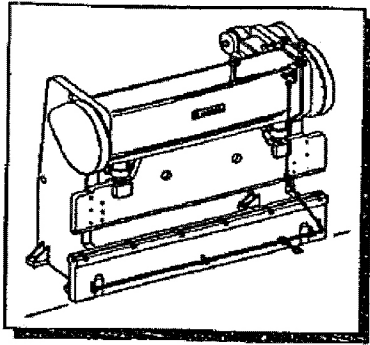


Member of the Schuler Group

MECHANICAL CLUTCH & BRAKE
single speed drive (200 - 260 ton)

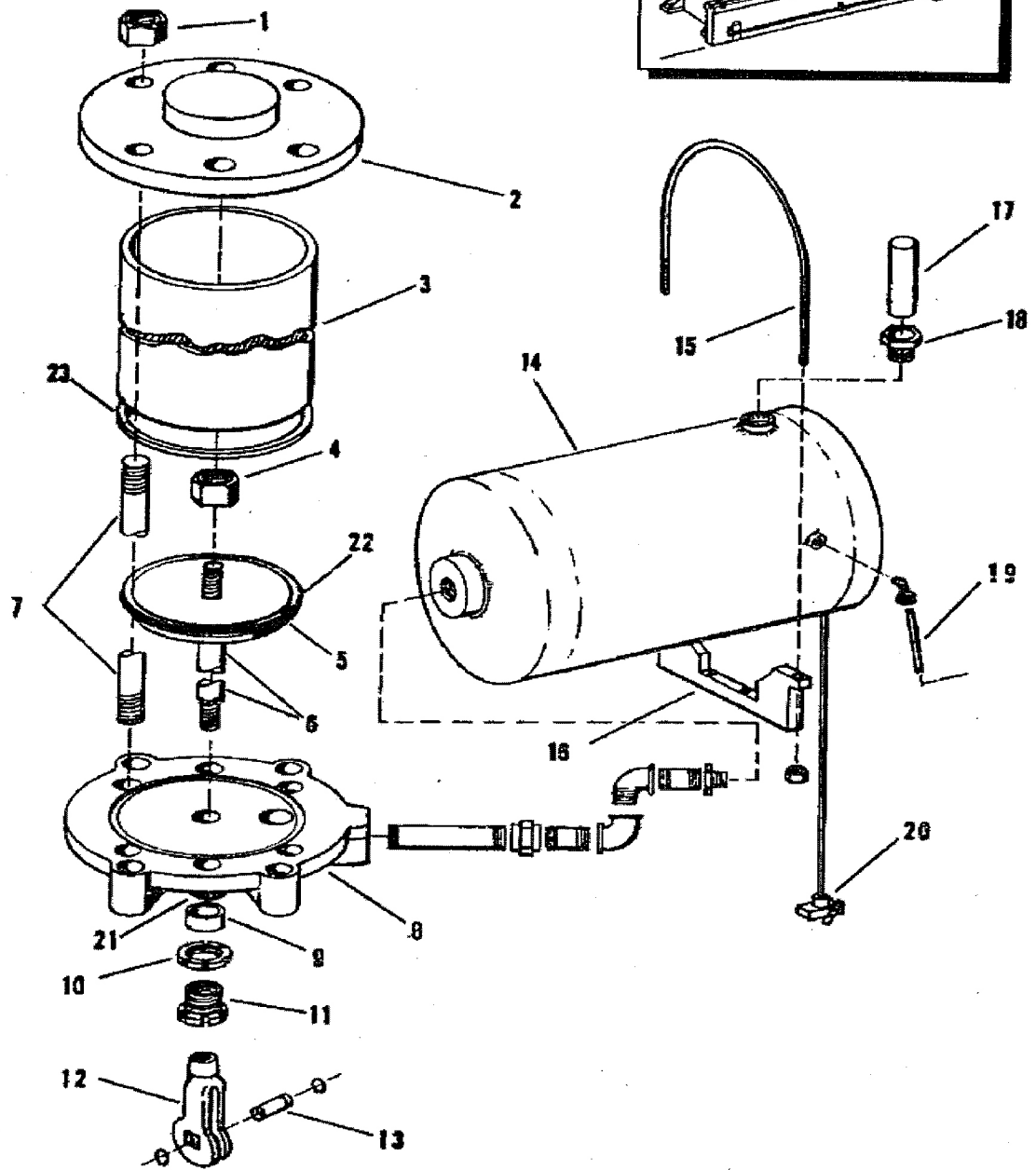
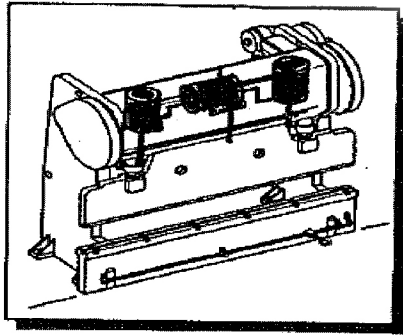
1. Main Motor
2. Main Motor Mounting Bolt
3. Drive Sheave Key
4. Drive Belt
5. Drive Sheave
6. Drive Sheave Locking Screw
7. Retainer Ring
8. Driveshaft, L.H. Bearing
9. Retainer Ring
10. Retainer Ring
11. Driveshaft, R.H. Bearing
12. Driveshaft, R.H. Bearing Cartridge
13. Flywheel Bearings
14. Flywheel
15. Bushings
16. Driveshaft Keys
17. Driveshaft, single speed (2 speed - page 20, No. 19)
18. Throwout Rod
19. Hub, Plate*
20. Spring
21. Disc Assembly, Inner*
22. Center Drive Plate*
23. Disc Assembly, Outer *
24. Push Plate *
25. Release Latch*
26. Release Latch Spring*
27. Pins
28. Retainer Ring, L.H. Driveshaft
29. Retainer Ring
30. Toggles*
31. Toggle Levers*
32. Bearing Retainer Cap
33. Shifter*
34. L.H. Rod Retainer
35. Throwout Rod Bearing Retainer
36. Throwout Rod Bearing
37. Retainer Ring
38. Pins*
39. Pins*
40. Pins*
41. Adjusting Ring*
42. Retainer Ring
43. Retainer Ring, R.H. Driveshaft
44. Disc Clutch, same as brake
45. Clutch Spacer
46. Brake Ring
47. R.H. Rod Retainer

*Integral parts of brake assembly (clutch parts same)



TREADLE SHAFT - MECHANICAL CLUTCH
(200 - 260 ton)

1. Treadle
2. Treadle Shaft
3. Pillow Block
4. Pillow Block Cap
5. Pillow Blocks
6. Shims
7. Treadle Shaft Arm
8. Yoke Clevis
9. Lower Treadle Rod
10. Spring Stop Plate
11. Return Spring
12. Washer
13. Micro Switch Bracket
14. Micro Switch
16. Yoke Clevis
17. Lower Bell Crank
18. Bell Crank Pivot Pin
19. Yoke Clevis
20. Upper Treadle Rod
21. Yoke Clevis
22. Brake Valve
23. Valve Bracket
24. Solenoid
25. Air Cylinder
26. Spring
27. Bushing
28. Piston Rod
29. Yoke Clevis
30. Bushing
31. Pivot Arm
32. Bearing Retainer Cap
33. Pivot Arm Fulcrum



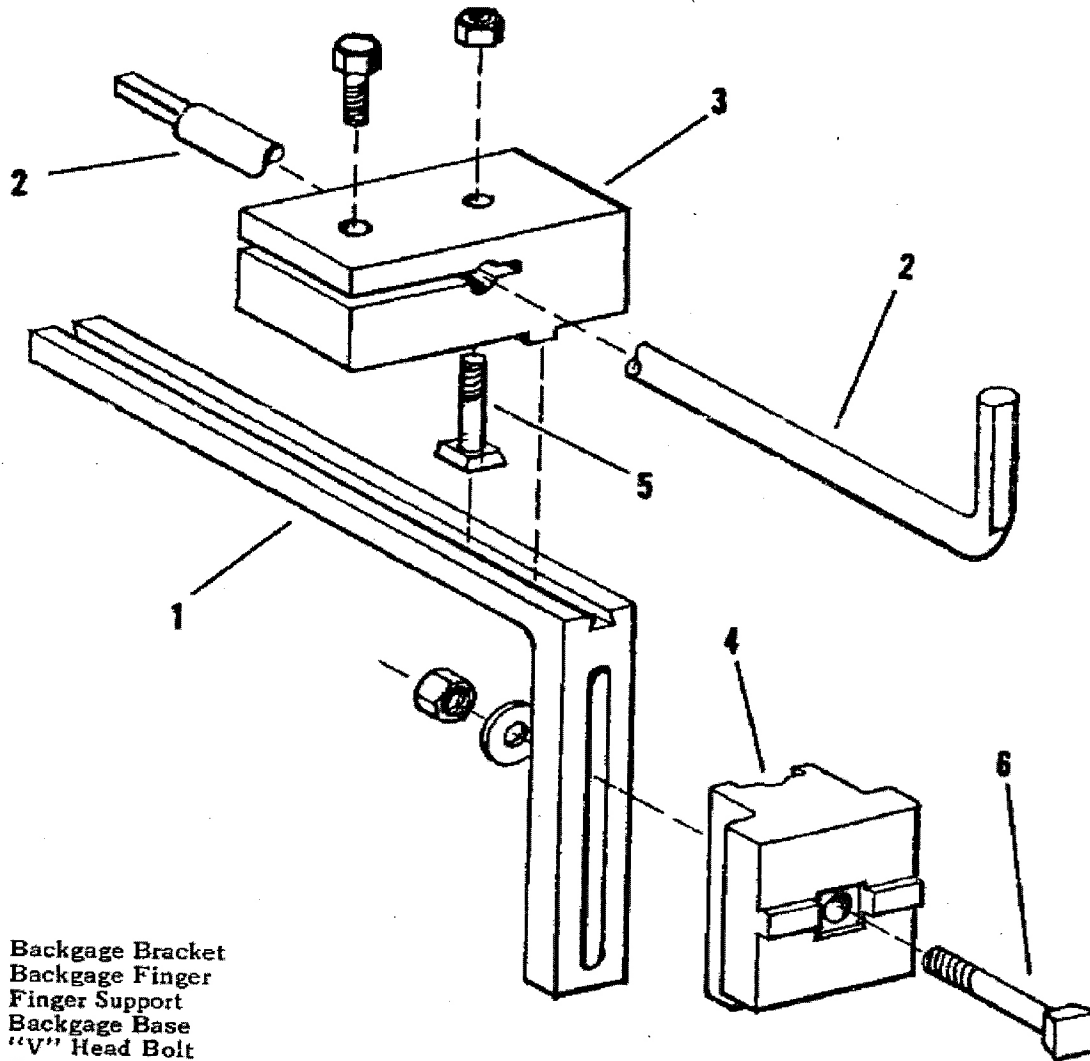
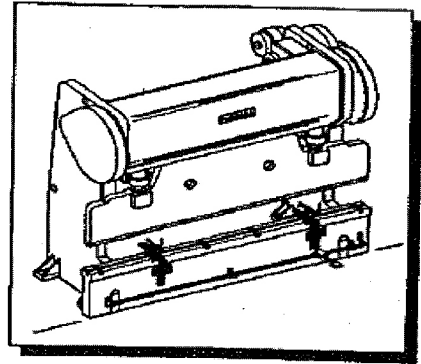
AIR COUNTERBALANCE AND TANK

1. Tie Rod Nut
2. Upper Cylinder Cap
3. Counterbalance Cylinder
4. Piston Rod Nut
5. Piston
6. Piston Rod
7. Tie Rod
8. Lower Cylinder Cap
9. Sleeve
10. Lock Nut
11. Compression Nut
12. Clevis
13. Retainer Ring Pin
14. Air Tank
15. Tank Rod
16. Tank Bracket
17. Safety Valve
18. Bushing
19. Air Supply Line
20. Petcock
21. Stuffing Box Packing
22. Piston Packing
23. Velumoid Gasket



Member of the Schuler Group

STANDARD BACKGAGE



1. Backgage Bracket
2. Backgage Finger
3. Finger Support
4. Backgage Base
5. "V" Head Bolt
6. Tee Bolt