

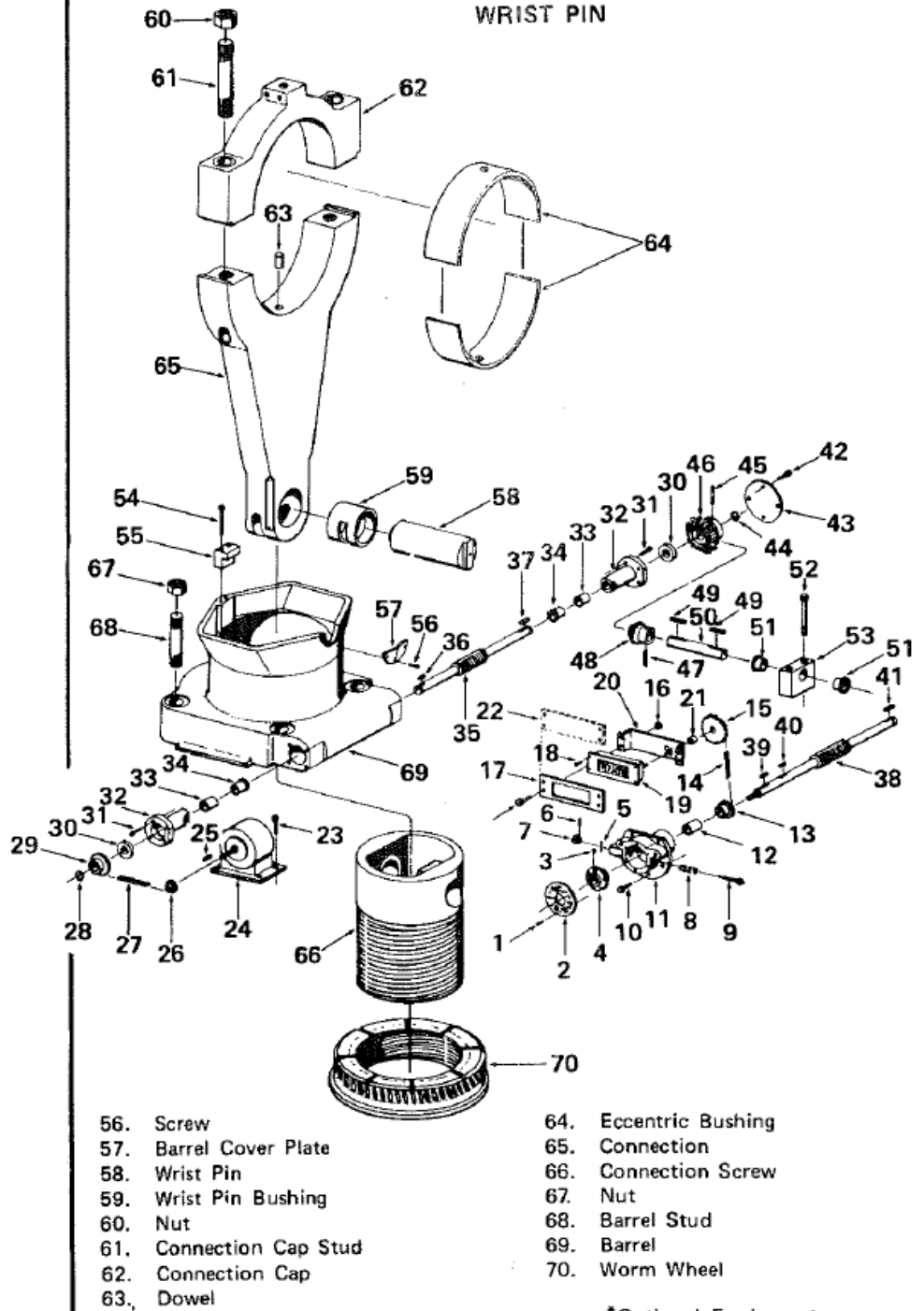
NIAGARA

STRAIGHT SIDE PRESSES

FORM A-13-D-1

BARREL ADJUSTMENT ASSEMBLY

1. Screw*
2. Slide Adjustment Plate*
3. Set Screw*
4. Adjustment Locking Pinion*
5. Pin*
6. Taper Pin*
7. Knob*
8. Spring*
9. Adjustment Gear Locking Pin*
10. Mounting Screw*
11. Adjustment Locking Bracket*
12. Bushing
13. Counter Driving Sprocket*
14. Counter Chain*
15. Counter Driven Sprocket*
16. Mounting Bolt and Nut*
17. Counter Mounting Bracket*
18. Screw*
19. Counter*
20. Counter Shaft Support Bracket*
21. Bushing*
22. Slide Front Cover (in place of Counter)
23. Motor Mounting Screw*
24. Barrel Adjustment Motor*
25. Key*
26. Motor Driving Sprocket*
27. Motor Chain*
28. Retainer Ring*
29. Motor Driven Sprocket*
30. Oil Seal
31. Screw
32. Worm Retainer
33. Bearing
34. Flanged Bearing
35. L. H. Worm Shaft
36. Key*
37. Key
38. R. H. Worm Shaft
39. Key*
40. Key*
41. Key
42. Screw
43. Slide Rear Cover
44. Retainer Ring
45. Set Screw
46. Bevel Gear
47. Set Screw
48. Bevel Pinion
49. Key
50. Cross Shaft
51. Flanged Bearing
52. Mounting Screw
53. Cross Shaft Bearing Bracket
54. Mounting Screw
55. Connection Screw Stop



- | | |
|-------------------------|-----------------------|
| 56. Screw | 64. Eccentric Bushing |
| 57. Barrel Cover Plate | 65. Connection |
| 58. Wrist Pin | 66. Connection Screw |
| 59. Wrist Pin Bushing | 67. Nut |
| 60. Nut | 68. Barrel Stud |
| 61. Connection Cap Stud | 69. Barrel |
| 62. Connection Cap | 70. Worm Wheel |
| 63. Dowel | |

*Optional Equipment 765