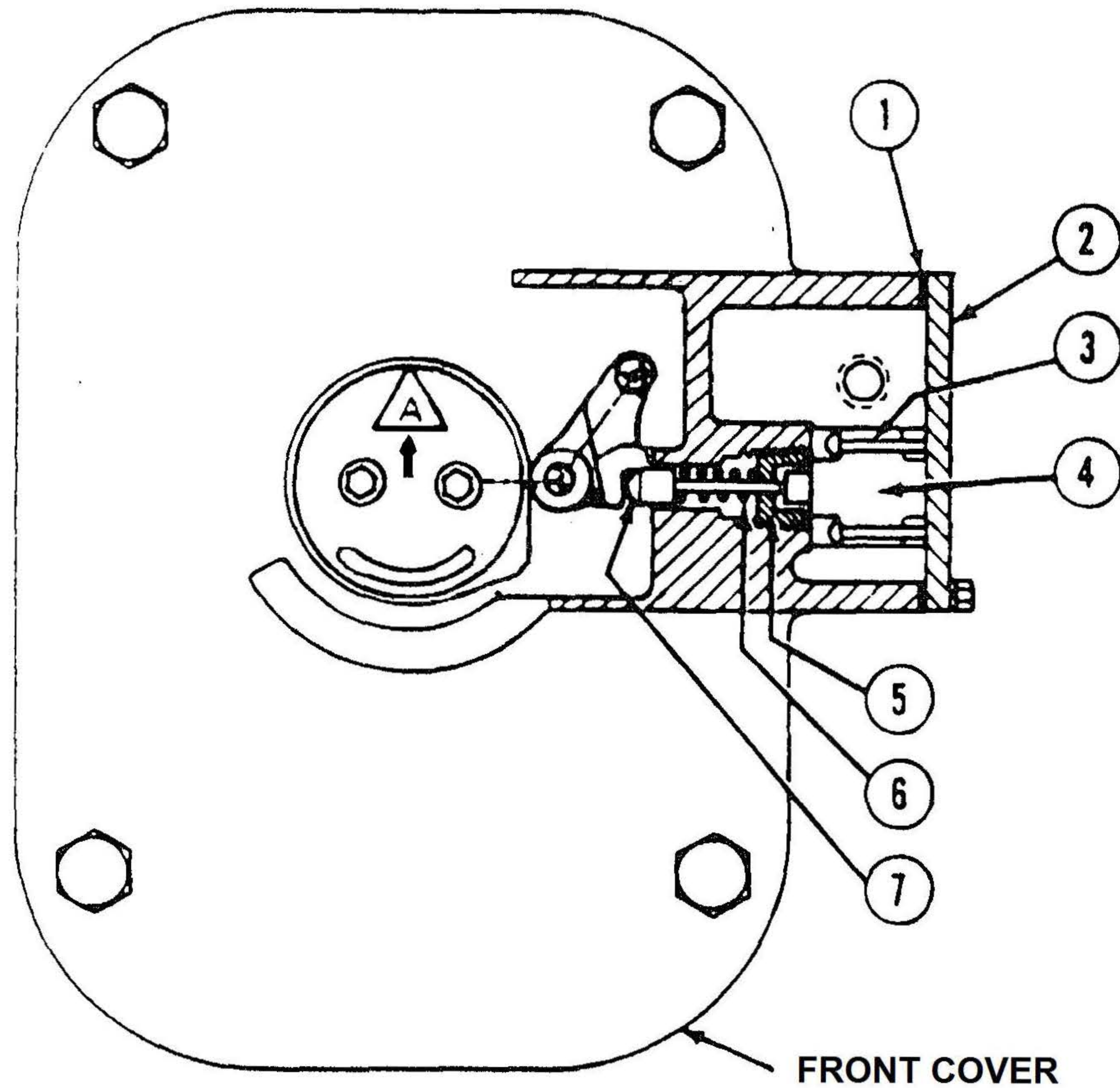


LIMIT SWITCH ASSEMBLY

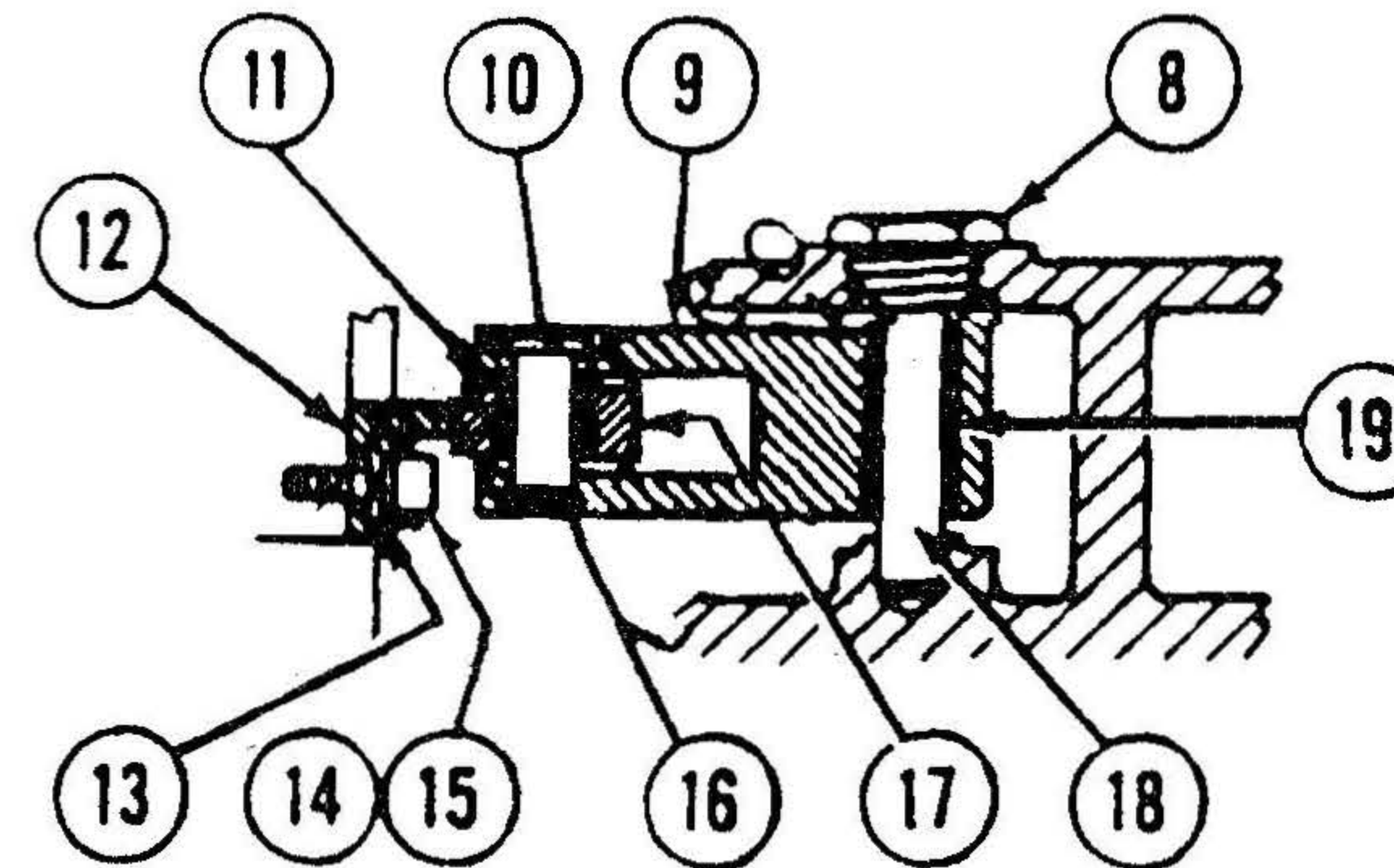
PARTS LIST



- | | |
|------------------------|--------------------------|
| 1. Gasket | 11. Flange Bearing* |
| 2. Top Cover | 12. Limit Switch Cam |
| 3. Rd. Hd. Mach Screws | 13. Washer |
| 4. Limit Switch | 14. Spring Lock Washer |
| 5. Plug | 15. Soc. Hd. Cap Screw |
| 6. Spring* | 16. Retaining Ring |
| 7. Cam Pin | 17. Roller |
| 8. Pivot Pin Housing | 18. Cam Lifter Pivot Pin |
| 9. Cam Lifter | 19. Cam Lifter Bushing* |
| 10. Bearing Pin | |

*Indicates Part Subject To Wear.

• Recommended To Be Kept In Stock By Customer.



SECTION A-A

WHEN ORDERING PARTS, INCLUDE YOUR PRESS SERIAL NO. AND THIS DRAWING NO. R8209

FIGURE 2K

LIMIT SWITCH ASSEMBLY

