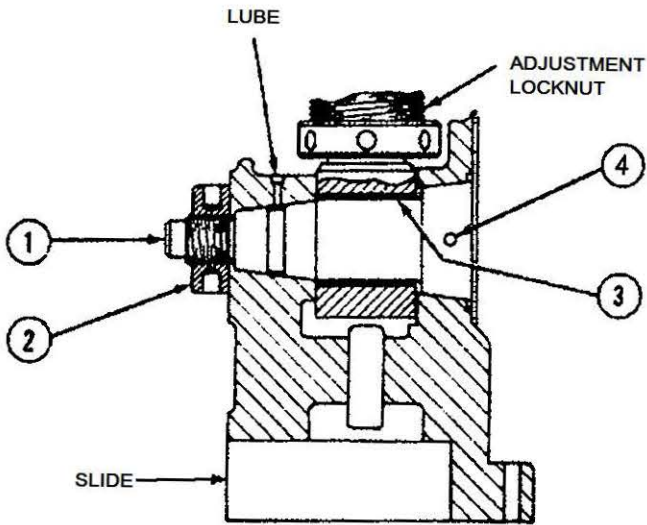


**CLEARELEASE
MECHANISM**

22 Ton OBI



R-8206
Ref.Layout
C-59973

CA116621-1 1. Wrist Pin
CA116622 2. Locking Nut

CA116628-1 3. Wrist Pin Bushing
CA116621-3 4. Locating Dowel