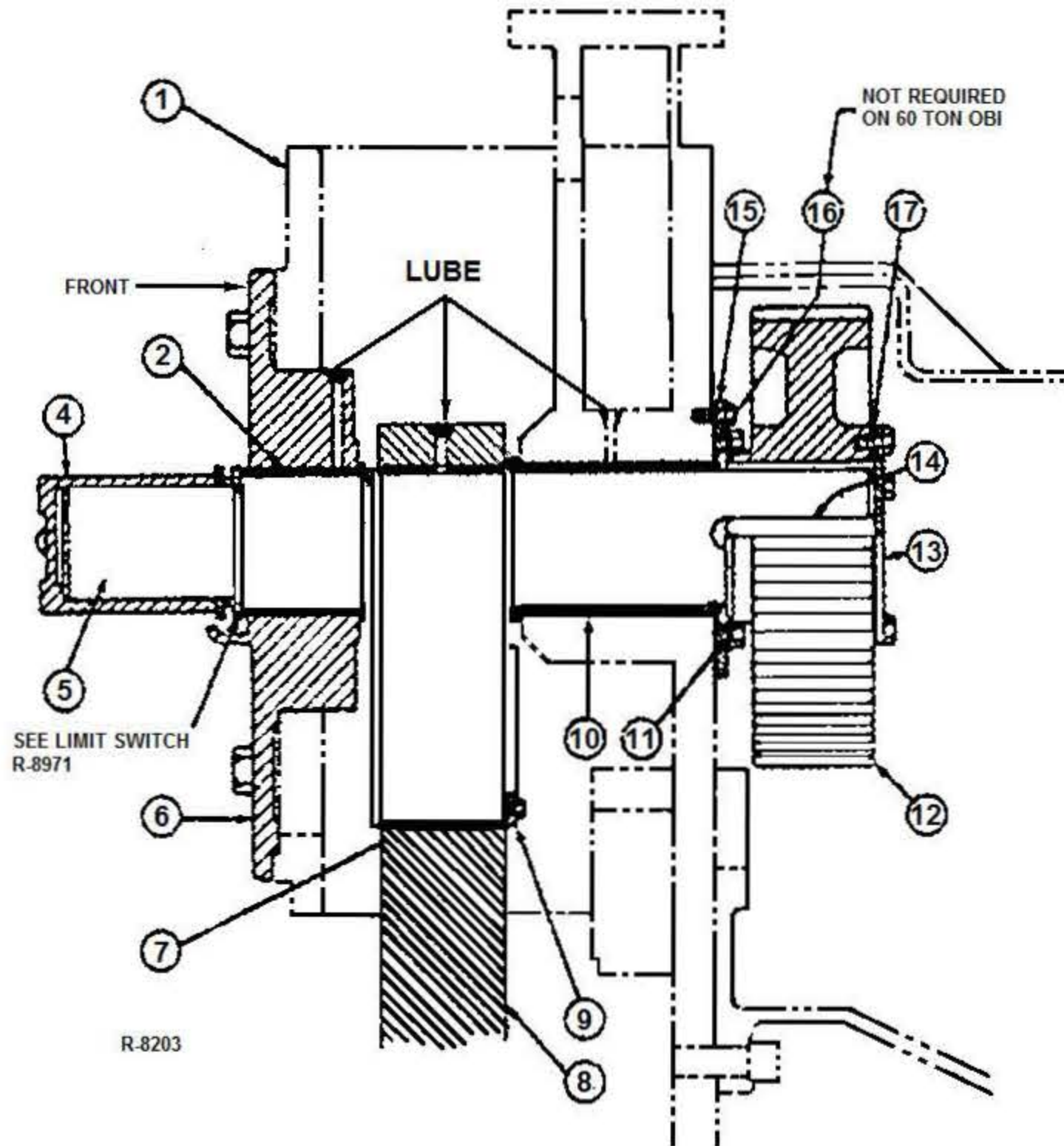


## HEAD ASS'Y 22 Ton OBI



R-8203

- |            |                            |  |            |                                     |
|------------|----------------------------|--|------------|-------------------------------------|
|            | <b>1. Head</b>             |  |            |                                     |
| CA116636-1 | <b>2.*Ecc.Bushing F.</b>   |  | CA116634   | <b>10.*Ecc.Bushing R.</b>           |
|            | <b>3.</b>                  |  | CA116636-3 | <b>11.*Oil Seal, #47394</b>         |
| CA95672-1  | <b>4. Lock Sleeve</b>      |  | CB65114    | <b>12. Main Gear, Standard</b>      |
|            |                            |  | CB97114    | <b>Main Gear, Hi-Speed</b>          |
| CHART      | <b>5. Ecc. Shaft</b>       |  | CA116618   | <b>13. Shaft End Cover</b>          |
|            | <b>6. Front Cover</b>      |  | CA117025   | <b>14. Main Gear Key</b>            |
| CHART      | <b>7.*Ecc. Bushing</b>     |  |            | <b>15. Seal Housing</b>             |
| CHART      | <b>8. Connection Strap</b> |  | CA100697   | <b>16. Gasket, 7-3/4" x 6-1/64"</b> |
| CHART      | <b>9. Retainer Ring</b>    |  | CA116115   | <b>17. Gasket, 4-1/2"</b>           |

### CHART

STK	ECCENTRIC SHAFT #5	ECCENTRIC BUSHING #7	CONNECTOR STRAP #8	RETAINER RING #9	REF.
1"	CB97050	CA174033	CA174030	CA174036	C-94111
2"	CB97051	CA174033	CA174031	CA174036	C-94111
3"	CB97052	CA174034	CA174032	CA174037	C-94111
4"	CB97053	CA174034	CA174032	CA174037	C-94111
ADJ.	CC62986	CA174035	CB97049		C-97468