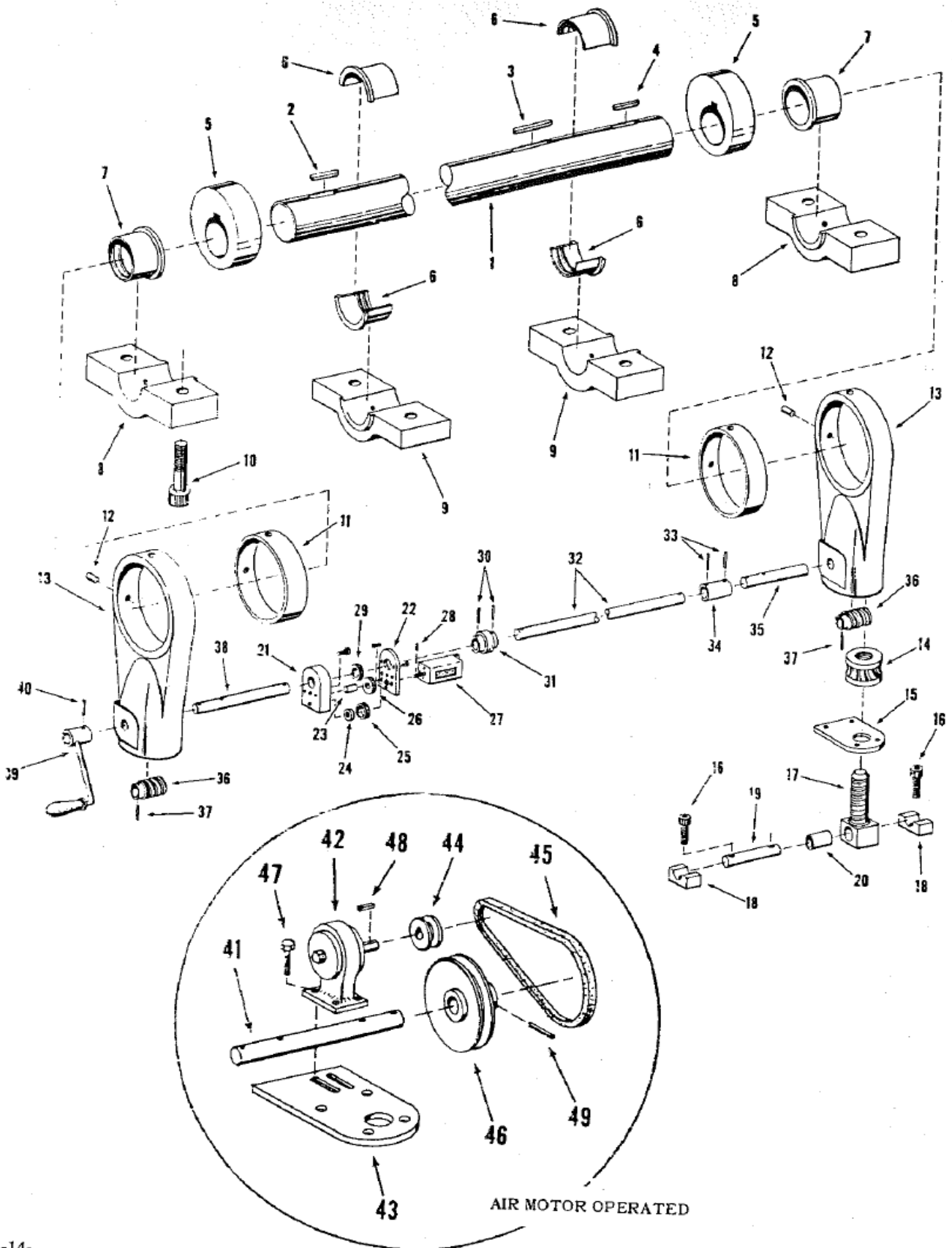


FRAME AND RAM

1. Die Rail
2. Washer
3. Die Rail Screw
4. Die Adjustment Set Screw
5. Main Motor Control Handle or Buttons
6. Frame
7. Ram
8. Socket Head Screw
9. Motor Control Cover
10. Adjustment Switch Rear Cover (Power Ram Adjustment Only)
11. Adjustment Switch Front Cover (Power Ram Adjustment Only)
12. Socket Head Cap Screws (Power Ram Adjustment Only)
13. Punch Clamping Bar Screws
14. Punch Clamping Bar
15. Clamping Bar Locknut
16. Spring
17. Gib Screws
18. Left Gib
19. Rear Non-Metallic Liner
20. Front Non-Metallic Liner
21. Dowel
22. Lock Nut
23. Adjusting Screw
24. Cap Screw
25. Pivot Adjusting Block
26. Cap Screw
27. Pivot Block Cover
28. Pivot Block
29. Pivot Shoes
30. Right Gib
- *31. Ram Adjustment Switch (Power Ram Adjustment Only)

*Not Shown

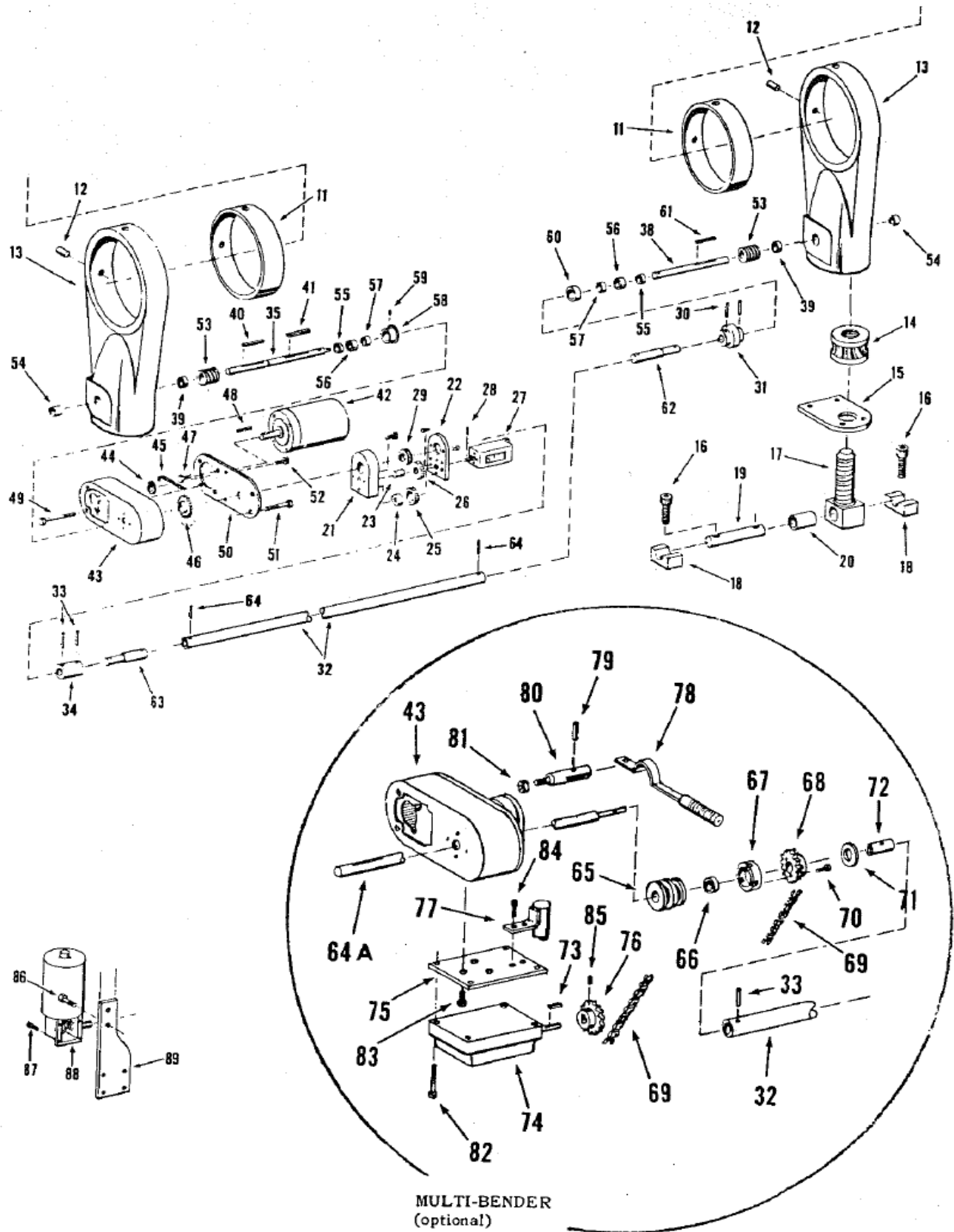


ECCENTRIC SHAFT AND RAM ADJUSTING MECHANISM

1. Eccentric Shaft
2. Eccentric Key
3. Worm Gear Key
4. Eccentric Key
5. Eccentrics
6. Inboard Split Bushings
7. Outboard Bushings
8. Outboard Bearing Caps
9. Inboard Bearing Caps
10. Socket Head Cap Screws
11. Connection Bushings
12. Bushing Pins
13. RH Eccentric
- 13a LH Eccentric
14. Adjusting Screw Connection Nut
15. Connection Cap
16. Pivot Block Screw
17. Adjusting Screw
18. Adjusting Screw Pivot Block
19. Adjusting Screw Pivot Pin
20. Adjusting Screw Bushing
21. Gear Box
22. Gear Box Cover
23. Idler Shaft
24. Counter Gear Bushing
25. Counter Gear
26. Idler Gear
27. Counter
28. Roll Pin
29. Shaft Gear
30. Roll Pins
31. LH Coupling
32. Adjusting Shaft
33. Roll Pins
34. RH Coupling
35. RH Ram Adjusting Shaft
36. Worms
37. Roll Pins
38. LH Ram Adjusting Shaft
39. Crank Handle
40. Roll Pin

AIR MOTOR OPERATED

41. LH Ram Adjusting Shaft
42. Air Motor
43. LH Connection Cap
44. Driving Pulley
45. Belt
46. Driven Pulley
47. Motor Mounting Screws
48. Key
49. Roll Pin



POWER OPERATED RAM ADJUSTING MECHANISM

11. Connection Bushings
12. Bushing Pins
13. RH Connection
- 13a. LH Connection
14. Adjusting Screw Connection Nut
15. Connection Cap
16. Pivot Block Screw
17. Adjusting Screw
18. Ball Screw Pivot Block
19. Adjusting Screw Pivot Pin
20. Adjusting Screw Bushing
21. Gear Box
22. Gear Box Cover
23. Idler Shaft
24. Counter Gear Bushing
25. Counter Gear
26. Idler Gear
27. Counter
28. Roll Pin
29. Shaft Gear
30. Roll Pins
31. RH Coupling
32. Adjusting Shaft Connection Tube
33. Roll Pins
34. LH Coupling
35. LH Adjusting Shaft
38. RH Adjusting Shaft
39. Thrust Bearings
40. Worm Key
41. Key
42. Ram Adjusting Motor**
43. Sprocket Box**
44. Sprocket
45. Chain
46. Sprocket
47. Motor Screws**
48. Motor Key
49. Motor Screws**
50. Sprocket Box Cover**
51. Sprocket Box Mounting Screws**
52. Cover Screws**
53. Worms

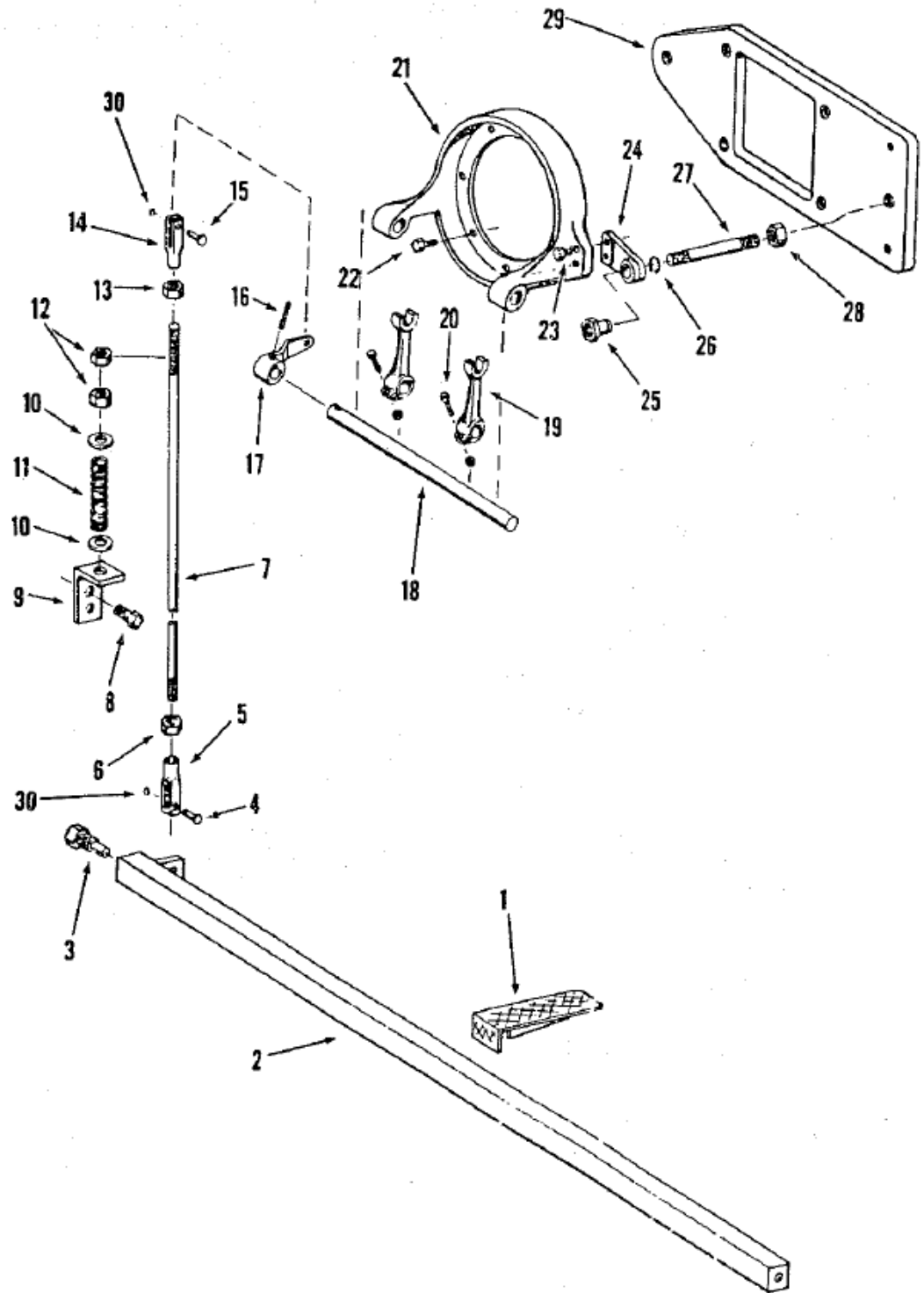
54. Bushings
55. Spacers
56. Thrust Bearings
57. Bushings
58. Bearing Retainer
59. Set Screw
60. Bearing Retainer
61. Worm Key
62. Right Adjusting Shaft**
63. Left Adjusting Shaft**
64. Roll Pins
86. Bracket Mounting Bolt*
87. Motor Mounting Bolt*
88. Ram Adjusting Motor*
89. Motor Mounting Bracket*

MULTI-BENDER

- (optional)
- 64a. LH Adjusting Shaft
 65. Clutch
 66. Bushing
 67. Sprocket Driving Cup
 68. Driving Sprocket
 69. Link Chain
 70. Screw
 71. Bushing
 72. Adjusting Shaft Collar
 73. Key
 74. Rotary Limit Switch Box
 75. Limit Switch Plate
 76. Driven Sprocket
 77. Drag Brake
 78. Disengaging Handle
 79. Roll Pin
 80. Pivot Arm Fulcrum
 81. Pivot Arm Nut
 82. Mounting Screw
 83. Mounting Screw
 84. Mounting Screw
 85. Set Screw

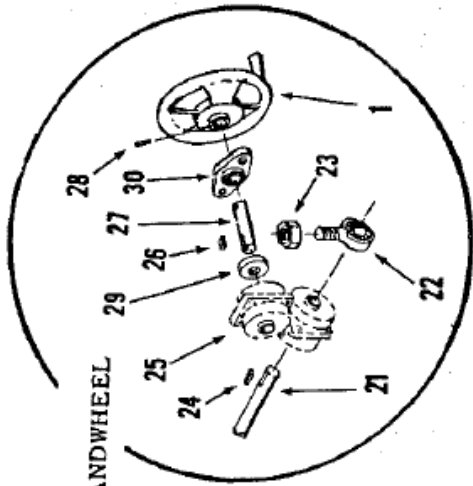
* Short Models

**Long Models

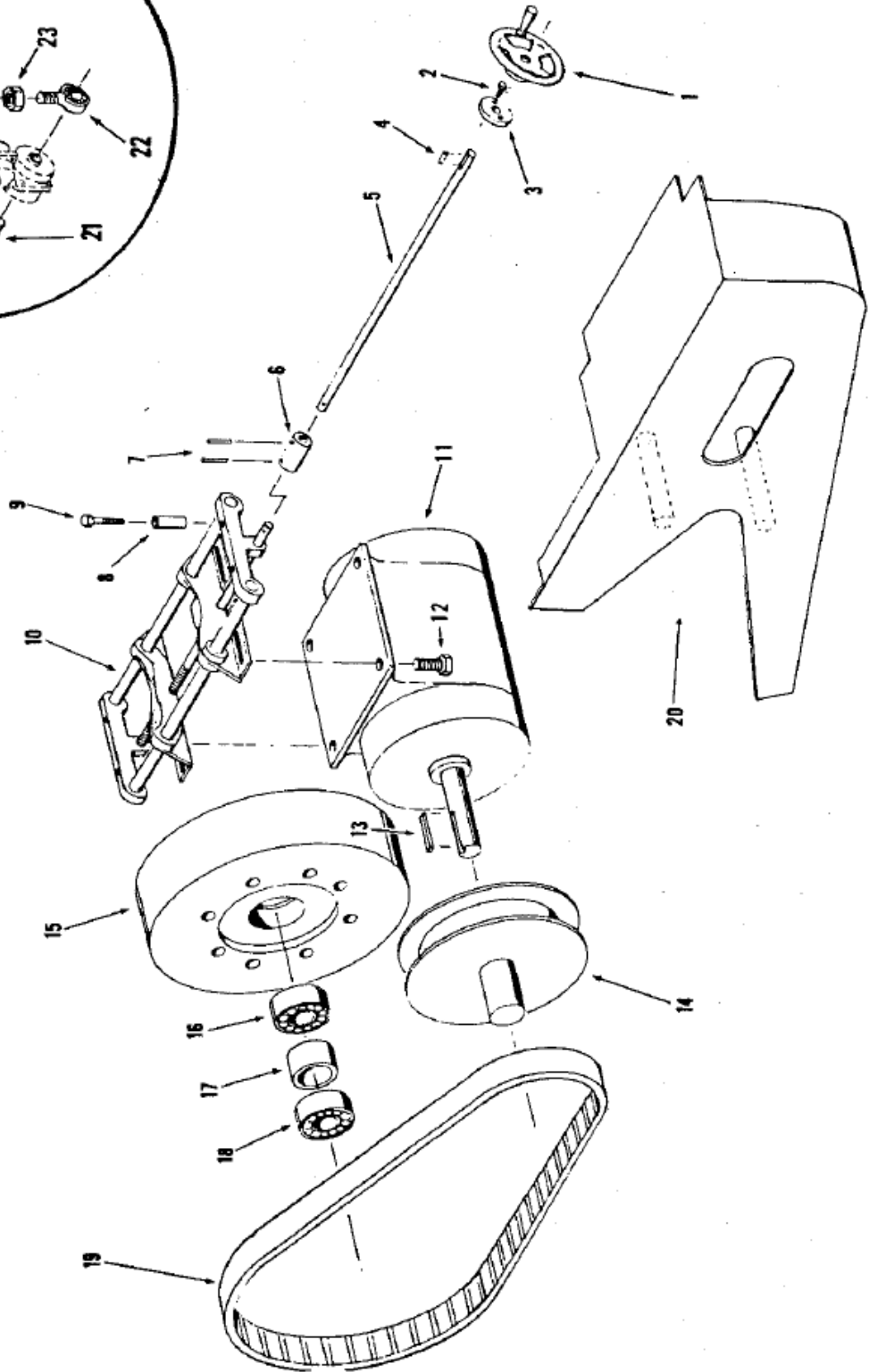


TREADLE MECHANISM

1. Foot Pedal
2. Foot Treadle Shaft
3. Treadle Shaft Fastener
4. Yoke Pin
5. Yoke
6. Jam Nut
7. Treadle Rod
8. Cap Screw
9. Spring Support
10. Washer
11. Treadle Rod Spring
12. Jam Nuts
13. Jam Nut
14. Yoke
15. Yoke Pin
16. Roll Pin
17. Shifting Arm
18. Shifting Rod
19. Shifting Forks
20. Shifting Fork Screws
21. Clutch Bracket
22. Screw
23. Screw
24. Support Post Bracket
25. Adjusting Sleeve
26. Retainer Ring
27. Support Post
28. Jam Nut
29. Clutch Brake Yoke
30. Retainer Rings



FRONT MOUNTED HANDWHEEL

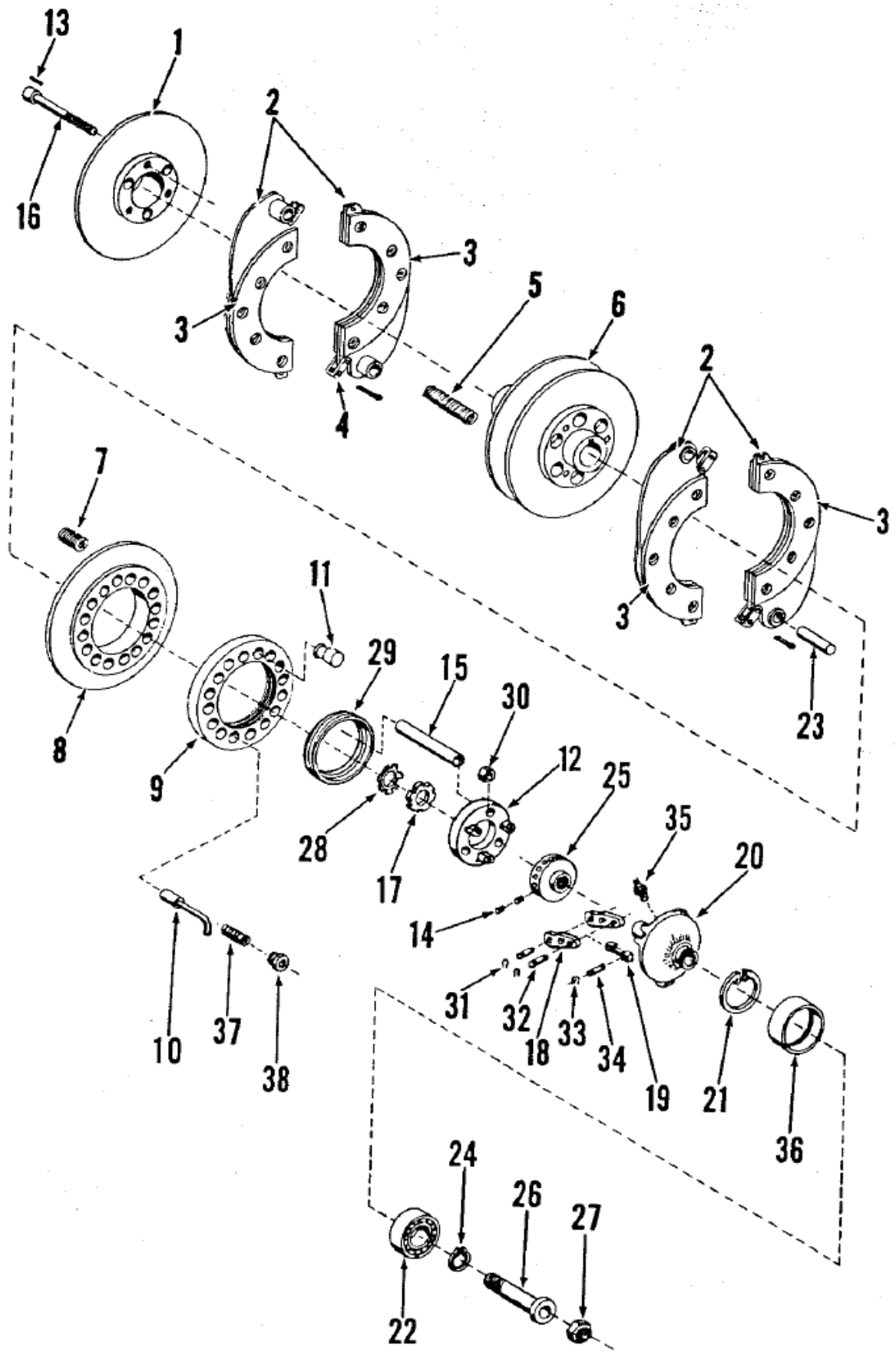


MECHANICAL DRIVE ASSEMBLY

1. Hand Wheel
2. Cap Screw
3. Shaft Support
4. Key
5. Motor Base Shaft Extension
6. Coupling
7. Roll Pin
8. Spacer
9. Cap Screw
10. Motor Base Assembly
11. Motor
12. Motor Mounting Screw
13. Motor Shaft Key
14. Variable Speed Pulley
15. Flywheel
16. Flywheel Bearing
17. Bearing Spacer
18. Flywheel Bearing
19. Belt
20. Belt Guard

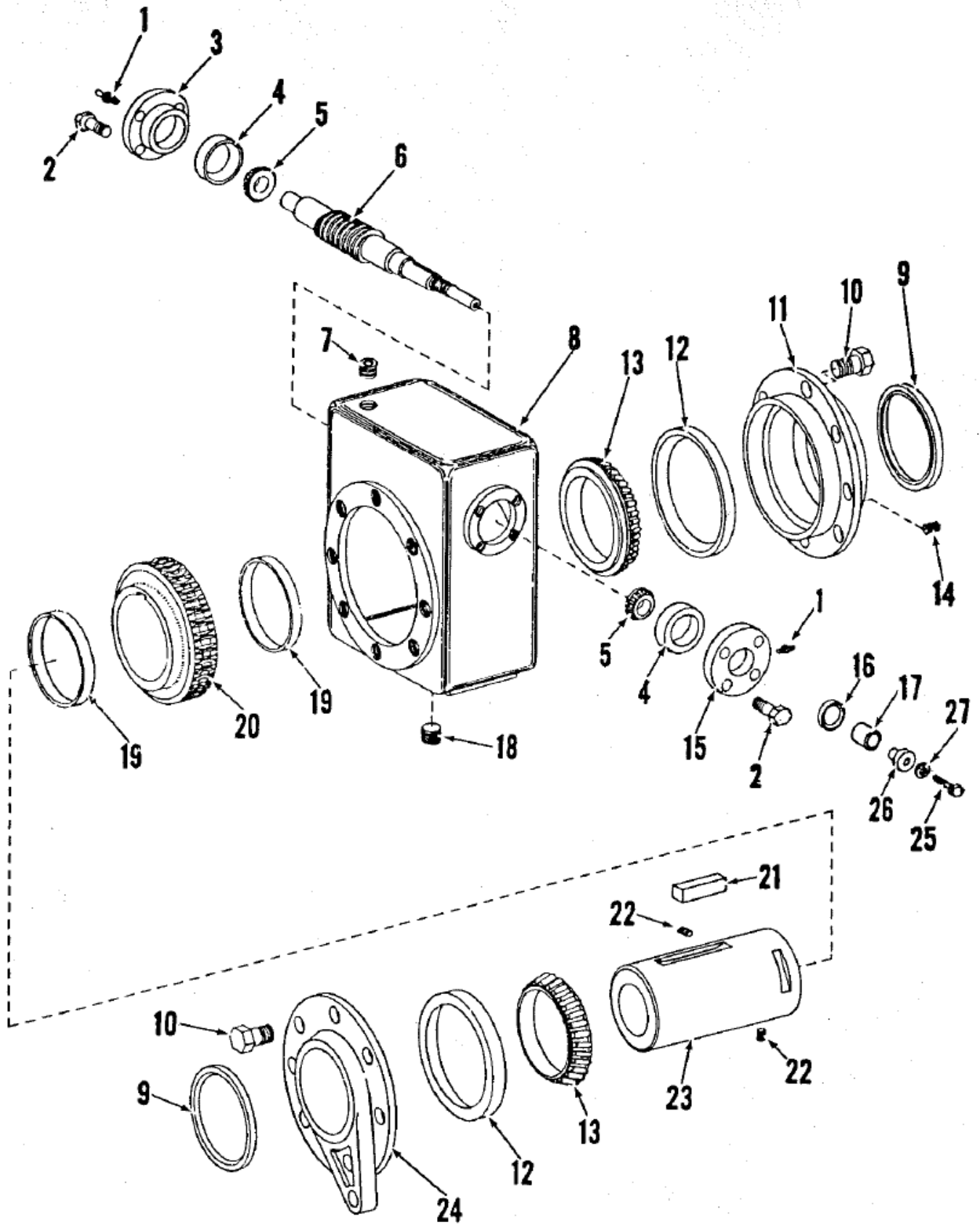
FRONT MOUNTED HANDWHEEL

21. Motor Base Shaft Extension
22. Rod End Bearing
23. Nut
24. Shaft Key
25. Right Angle Drive
26. Roll Pin
27. Hand Wheel Shaft
28. Roll Pin
29. End Collar
30. Flanged Cartridge



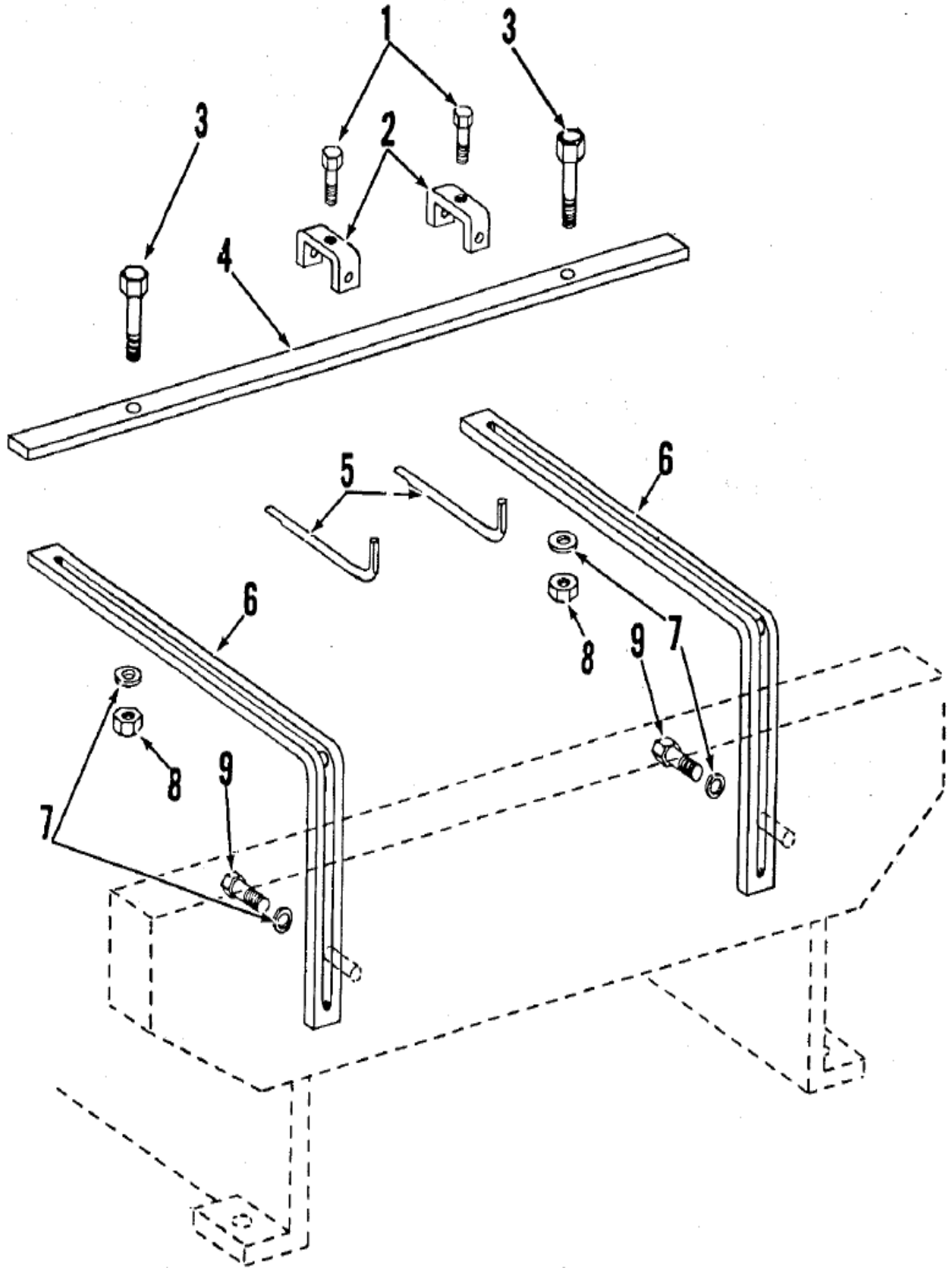
CLUTCH AND BRAKE

1. Clutch Plate
2. Plate Segments
3. Clutch and Brake Linings
4. Plate Locking Clip
5. Brake Springs
6. Hub and Plate Assembly
7. Seperating Spring
8. Brake Plate
9. Adjust Nut
10. Lock Pin
11. Dummy Balance Plunger
12. Strap Ring
13. Bolt Lock Pin
14. Lock Screw
15. Spacer
16. Brake Bolt
17. Locknut
18. Strap
19. Link
20. Shift Sleeve
21. Lock Ring
22. Shifter Bearing
23. Drive Pin
24. Sleeve Lock Ring
25. Adjust Collar
26. Adjust Sleeve
27. Adjust Sleeve Locknut
28. Lockwasher
29. Adjust Ring
30. Nut
31. Retainer Ring
32. Strap Pin
33. Retainer Ring
34. Link Pin
35. Grease Fitting
36. Collar
37. Spring
38. Pin Guide



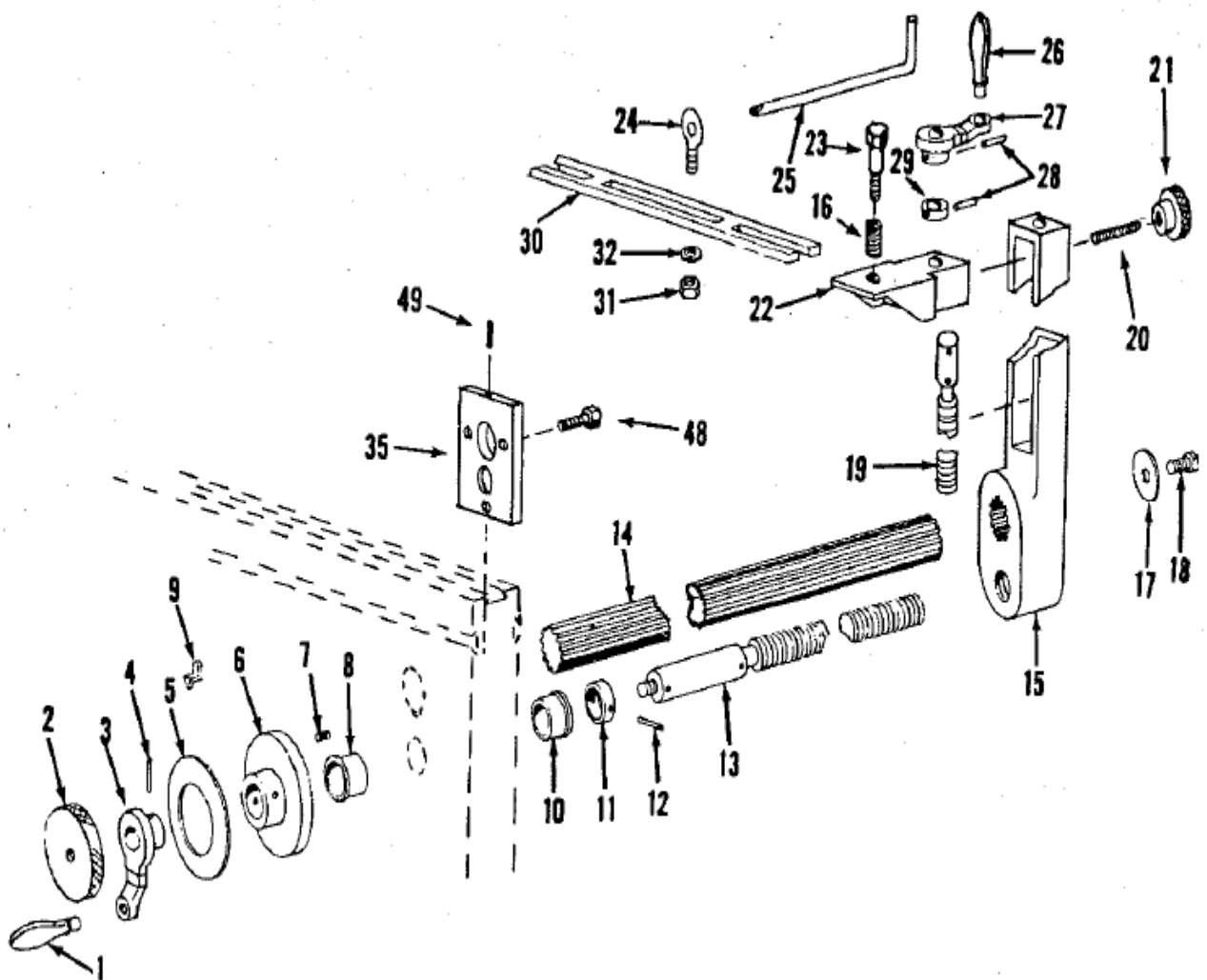
GEAR BOX

1. Grease Fittings
2. Small Cover Screws
3. Worm Shaft Closed Cover
4. Bearing Cup, Small
5. Bearing Cone, Small
6. Worm Shaft
7. Oil Fill Plug
8. Gear Box
9. Oil Seals, Large
10. Large Cover Screws
11. Output Shaft Cover
12. Bearing Cup, Large
13. Bearing Cone, Large
14. Oil Level Plug
15. Worm Shaft Open Cover
16. Oil Seal, Small
17. Worm Shaft Spacer
18. Drain Plug
19. Worm Gear Spacers
20. Worm Gear
21. Worm Gear Key
22. Output Shaft Set Screws
23. Output Shaft
24. Torque Arm Cover
25. Capscrew
26. Clutch Hub Stop
27. Lockwasher



Standard Backage

1. Clamp Screws
2. Finger Clamp
3. Finger Rest Screws
4. Finger Rest
5. Finger
6. Package Brackets
7. Washers
8. Nut
9. Bracket Screws



FRONT OPERATED MICROMETER TYPE BACKGAGE

1. Handle
2. Hand Knob
3. Hand Crank
4. Roll Pin
5. Hand Wheel Dial Face
6. Dial
7. Set Screw
8. Bushing
9. Pointer
10. Bushing
11. End Collar
12. Roll Pin
13. Adjusting Screw
14. Splined Shaft
15. Upright
16. Spring
17. Washer
18. Capscrew
19. Upright Adjusting Screw
20. Stud
21. Knurled Knob
22. Support Arm
23. Shoulder Bolt
24. Finger Bolt
25. Finger
26. Handle
27. Hand Crank
28. Roll Pin
29. End Collar
30. Finger Rest
31. Nut
32. Washer
35. R.H. Support Bracket
36. L.H. Support Bracket (not shown)
48. Capscrew
49. Set Screw