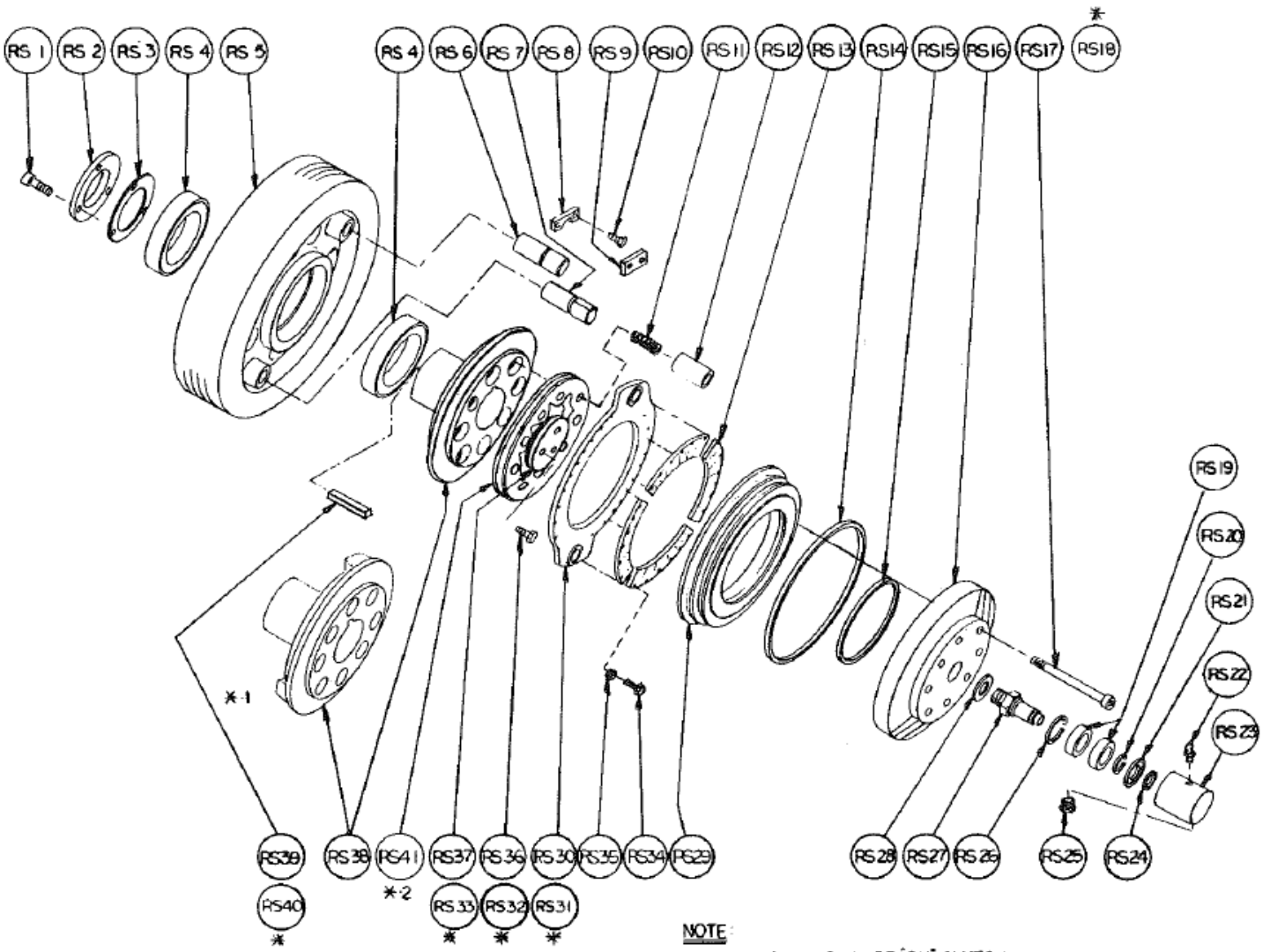


**TYPE "SU" AIR FRICTION CLUTCH**



**NOTE:**  
\*1- CLUTCH BODY FOR "SU" CLUTCH.  
\*2- USED ON 241-SU & 371-SU CLUTCHES ONLY.

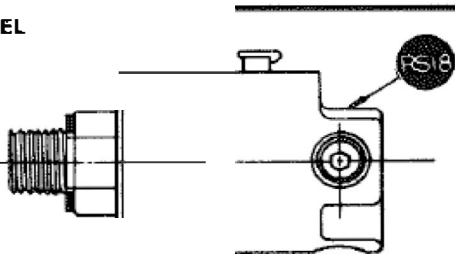
**NOTE:** Items that are preceded by an asterisk (\*) are not illustrated above, and are clarified on page 30.  
**NOTE:** Items that are preceded by an asterisk (\*) are not illustrated above, and are clarified on page 3

# BLISS

PARTS  
MANUAL

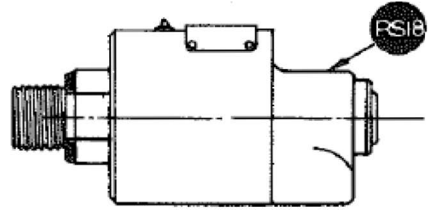
elow are illustrations showing design changes on the "R" and "SU" clutches.  
 elow each illustration is the model and approximate years to which they apply.  
 he items highlighted in black with white numbers are those that are referred to on previous pages.

**AIR SWIVEL**



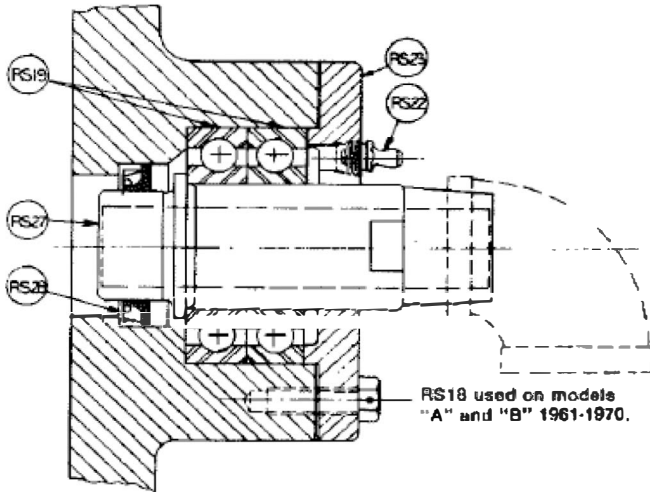
RS18 used on type 14-R and 44R models "A", "B" and "C" 1964-1975.

**AIR SWIVEL**



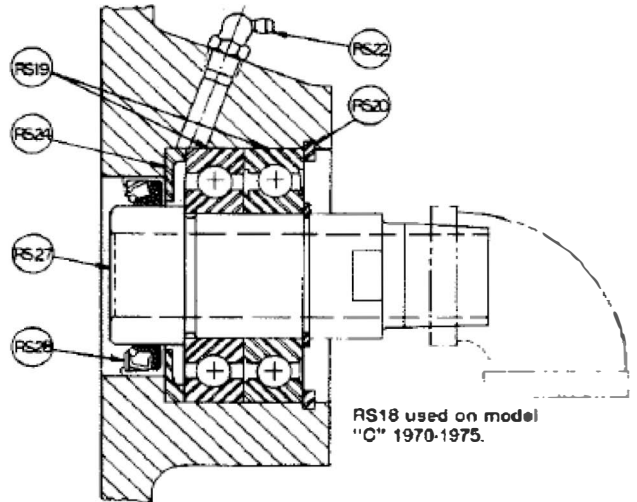
RS18 used on type 11-S, 21-SU, 31-SU and 41-SU model "B" 1966-1975.

**AIR SWIVEL PARTS**



RS18 used on models "A" and "B" 1961-1970.

**AIR SWIVEL PARTS**

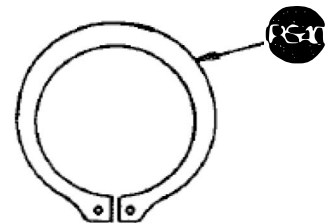


RS18 used on model "C" 1970-1975.

**CLUTCH FRICTION DISC WELD**

RS30 used on models "A", "B", "C" and "D" 1964 to present.

**SNAP RING**



RS40 used on 241-SU and 371-SU models "A", "B", and "D" plus as c ly.

Item Number	Description	Quantity	61-SU Mod. D Aug. 1975
RS-1	Bearing Collar Screw	3 pcs.	6326-0-0213-2
RS-2	Bearing Collar	1 pc.	3382-A-2146-2
RS-3	Fw. Bearing Shims		
	.005" Thk.-Blue	2 pcs.	3124-A-5120-2
	.002"Thk.-Red	5 pcs.	3124-A-5119-2
RS-4	Flywheel Bearings	2 pcs.	6250-0-0125-2
RS-5	Flywheel	1 pc.	Check Record
RS-6	Friction Disc Pin - Round	1 pc.	3263-A-4127-2
RS-7	Friction Disc Pin - Flat	1 pc.	3261-A-6140-2
RS-8	Keeper Plate - Round	1 pc.	0043-3-0250-2
RS-9	Keeper Plate - Flat	1 pc.	0042-3-0427-2
RS-10	Keeper Plate Screws	4 pcs.	1314-3-0008-2
RS-11	Brake Springs	4 pcs.	6661-0-0008-2
RS-12	Drive Pins	8 pcs.	0047-3-0008-2
RS-13	Clutch Linings	8 pcs.	0042-1-0136-2
RS-14	U-Packing - Outer	1 pc.	2314-A-6183-2
RS-15	U-Packing - Inner	1 pc.	5920-0-0041-2
RS-16	Air Cylinder	1 pc.	3684-C-9223-2
RS-17	Air Cylinder Bolts	8 pcs.	2011-A-8228-2
*RS-18	Air Swivel Assembly	1 pc.	0048-1-0231-4
RS-19	Swivel Ball Bearing	1 pc.	2421-A-3112-2
	Swivel Ball Bearing	1 pc.	2422-A-3712-2
RS-20	Retainer Ring	1 pc.	2125-A-0053-2
RS-21	U-Packing	1 pc.	5920-0-0110-2
RS-22	Alemite Fitting	1 pc.	8393-0-0150-2
RS-23	Housing	1 pc.	0048-2-0233-2
RS-24	Spacer Ring	1 pc.	0048-3-0234-2
RS-25	Reducer Bushing	1 pc.	2222-Z-1011-2
RS-26	Retainer Ring	1 pc.	2125-Z-1039-2
RS-27	Swivel Sleeve	1 pc.	0048-2-0236-2
RS-28	Sleeve Gasket	1 pc.	0048-3-0237-2
RS-29	Air Cylinder Piston	1 pc.	0048-1-0111-2
RS-30	Clutch Friction Disc Assembly	1 pc.	3684-B-4213-4

