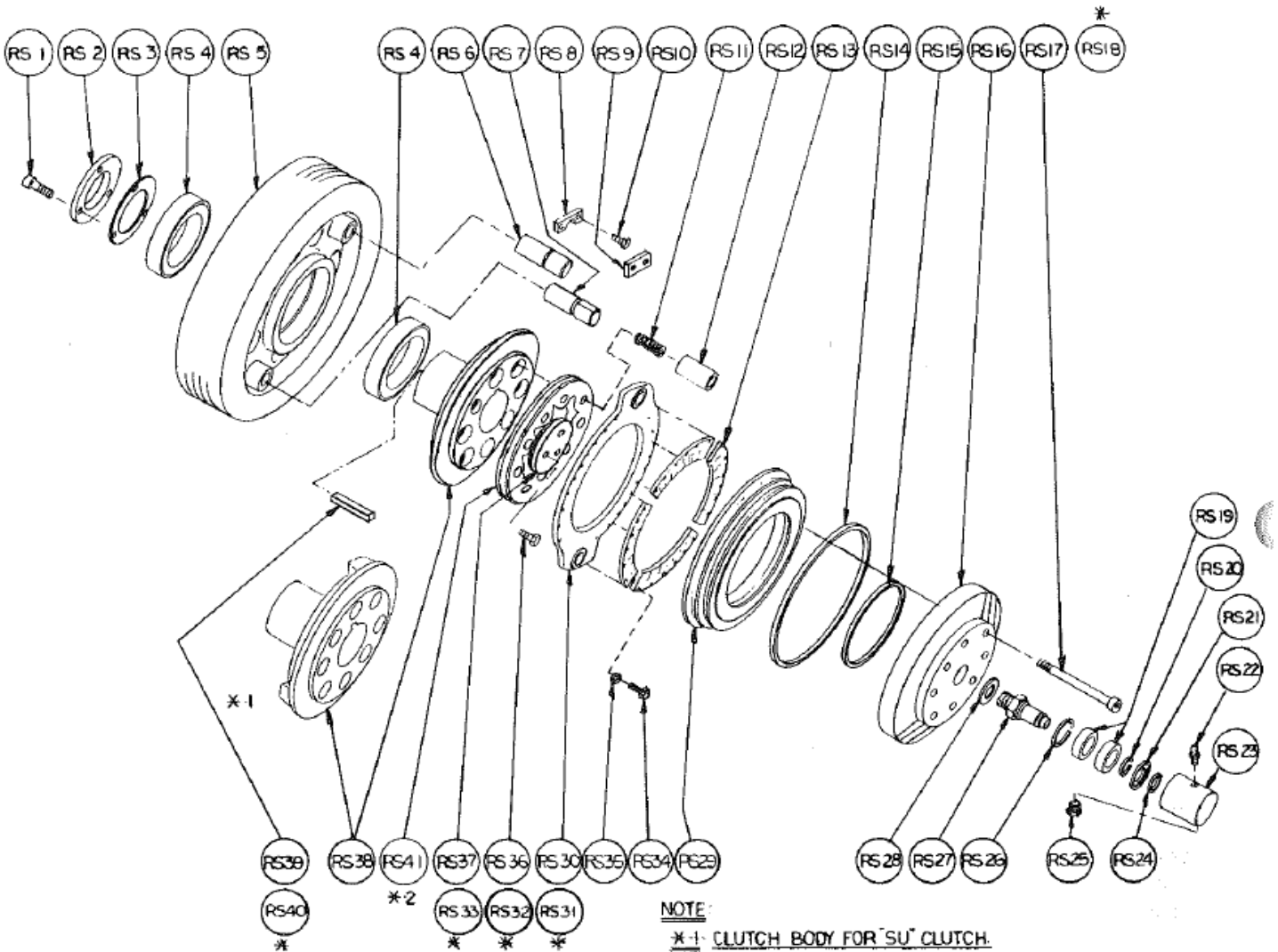


TYPE "R" AIR FRICTION CLUTCH



NOTE:
*1- CLUTCH BODY FOR "SU" CLUTCH.
*2- USED ON 241-SU & 371-SU CLUTCHES ONLY.

NOTE: Items that are preceded by an asterisk (*) are not illustrated above, and are clarified on page 4

TYPE "R" AIR FRICTION CLUTCH

MODEL 44

CLUTCH SIZE / PART NUMBER

Item No.	Description	Quantity	44-R Mod.A May 1964	44-R Mod.B Jan.1967	44-R Mod.C Aug.1970	44-R Mod.D Nov.1975
RS-1	Bearing Collar Screw	6 pcs.	6326-0-0213-2	6326-0-0213-2	6326-0-0213-2	
	Bearing Collar Screw	3 pcs.				6326-0-0213-2
RS-2	Bearing Collar	1 pc.	3382-B-2147-2	3382-B-2147-2	3382-B-2147-2	3382-B-2147-2
RS-3	Fr. Bearing Shims					
	.005" Thk. - Blue	2 pcs.	0043-3-0169-2	0043-3-0169-2	0043-3-0169-2	3124-A-3125-2
	.002" Thk. - Red	5 pcs.	0043-3-0168-2	0043-3-0168-2	0043-3-0168-2	3124-A-3126-2
RS-4	Flywheel Bearings	2 pcs.	2422-A-3339-2	2422-A-3339-2	2422-A-3339-2	2422-A-3339-2
RS-5	Flywheel	1 pc.	Check Record	Check Record	Check Record	Check Record
RS-6	Friction Disc Pin - Round	2 pcs.	0043-3-0251-2			
	Friction Disc Pin - Round	1 pc.		0043-3-0251-2	0043-3-0251-2	3263-A-4128-2
RS-7	Friction Disc Pin - Flat	1 pc.		0043-3-0268-2	0043-3-0268-2	3261-A-6141-2
RS-8	Keeper Plate - Round	2 pcs.	0043-3-0252-2			
	Keeper Plate - Round	1 pc.		0043-3-0252-2	0043-3-0252-2	0043-3-0252-2
RS-9	Keeper Plate - Flat	1 pc.		0042-3-0015-2	0042-3-0015-2	0042-3-0015-2
RS-10	Keeper Plate Screws	4 pcs.	1314-3-0007-2	1314-3-0007-2	1314-3-0007-2	1314-3-0007-2
RS-11	Break Spring	3 pcs.	6661-0-0006-2	6661-0-0006-2	6661-0-0006-2	6661-0-0006-2
RS-12	Drive Pins	6 pcs.	0047-3-0038-2	0047-3-0038-2	0047-3-0038-2	0047-3-0038-2
RS-13	Clutch Linings	8 pcs.	0042-1-0132-2	0042-1-0132-2	0042-1-0132-2	0042-1-0132-2
RS-14	U-Packing - Outer	1 pc.	2314-A-6175-2	2314-A-6175-2	2314-A-6175-2	2314-A-6175-2
RS-15	U-Packing - Inner	1 pc.	5920-0-0036-2	5920-0-0036-2	5920-0-0036-2	5920-0-0036-2
RS-16	Air Cylinder	1 pc.	0047-1-0031-2	0047-1-0031-2	0047-1-0031-2	3684-C-9200-2
RS-17	Air Cylinder Belts	8 pcs.	6326-0-0313-2	1314-3-0023-2	1314-3-0023-3	1314-3-0023-2
*RS-18	Air Swivel Assembly	1 pc.	6330-0-0001-2	6330-0-0001-2	6330-0-0001-2	0048-1-0231-4
RS-19	Swivel Ball Bearing	1 pc.	Not Used	Not Used	Not Used	2421-A-3112-2
	Swivel Ball Bearing	1 pc.	Not Used	Not Used	Not Used	2422-A-3712-2
RS-20	Retainer Ring	1 pc.	Not Used	Not Used	Not Used	2125-A-0053-2
RS-21	U-Packing	1 pc.	Not Used	Not Used	Not Used	5920-0-0110-2
RS-22	Alumite Fitting	1 pc.	Not Used	Not Used	Not Used	6383-0-0150-2
RS-23	Housing	1 pc.	Not Used	Not Used	Not Used	0048-2-0233-2
RS-24	Spacer Ring	1 pc.	Not Used	Not Used	Not Used	0048-3-0234-2
RS-25	Reducer Bushing	1 pc.	Not Used	Not Used	Not Used	2222-Z-1011-2
RS-26	Retainer Ring	1 pc.	Not Used	Not Used	Not Used	2125-Z-1038-2
RS-27	Swivel Sleeve	1 pc.	Not Used	Not Used	Not Used	0048-2-0236-2
RS-28	Sleeve Gasket	1 pc.	Not Used	Not Used	Not Used	0048-3-0237-2
RS-29	Air Cylinder Piston	1 pc.	0047-1-0030-2	0047-1-0030-2	0047-1-0030-2	0047-1-0030-2
RS-30	Clutch Friction Disc Assembly	1 pc.	0043-2-0293-4	3684-B-4204-4	3684-B-4204-4	3684-B-4204-4
*RS-31	Clutch Friction Disc	1 pc.	3491-C-3105-2	3491-C-3105-2	3491-C-3105-2	3491-C-3105-2
*RS-32	Clutch Friction Disc Bush. - Round	2 pcs.	3340-A-6111-2			
	Clutch Friction Disc Bush. - Round	1 pc.		3340-A-6111-2	3340-A-6111-2	3340-A-6111-2
*RS-33	Clutch Friction Disc Bush. - Flat	1 pc.		3344-A-9102-2	3344-A-9102-2	3344-A-9102-2
RS-34	Clutch Lining Screws	24 pcs.	2011-Z-1582-2	2011-Z-1582-2	2011-Z-1582-2	2011-Z-1582-2

NOTE: - Item numbers that are preceded by an asterisk (*) have been impacted by a design page - see page 4

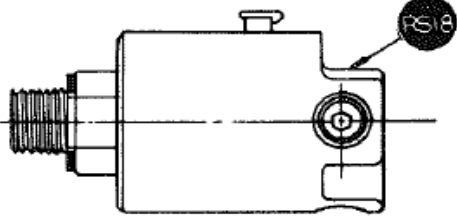
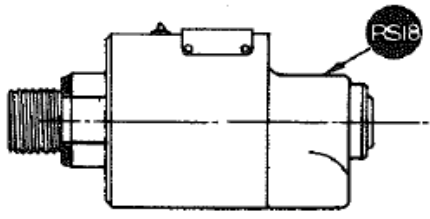
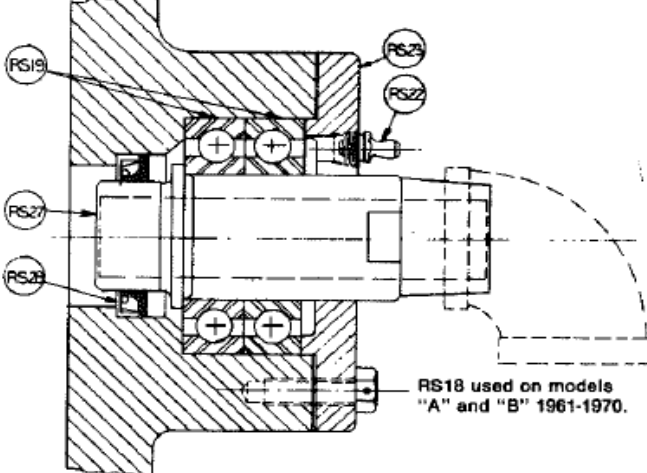
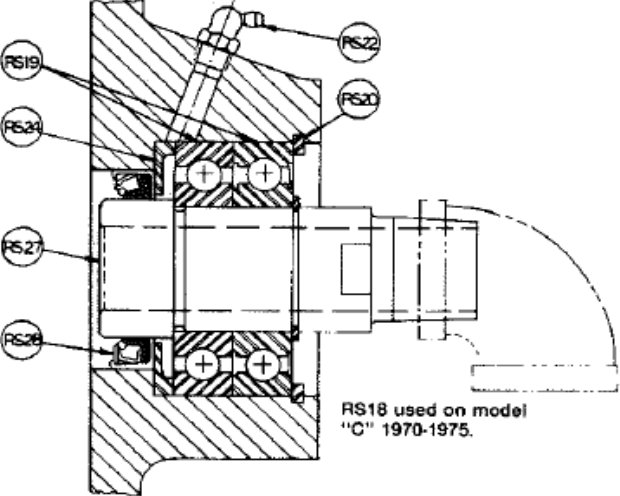
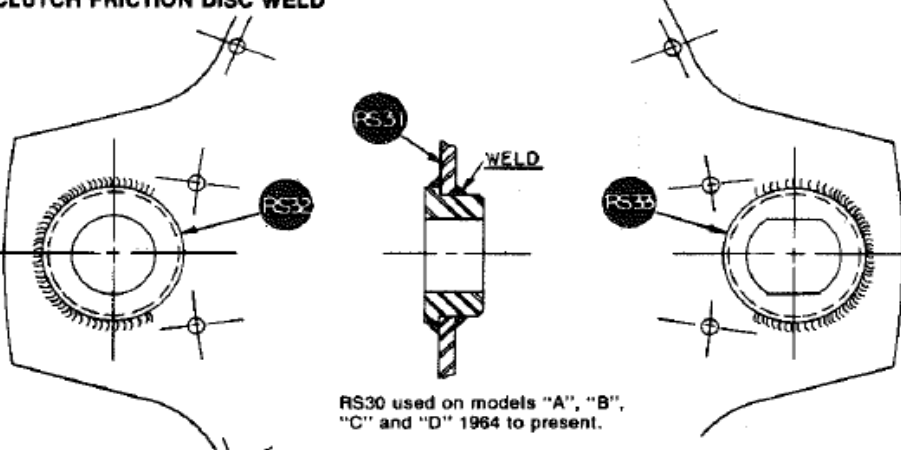
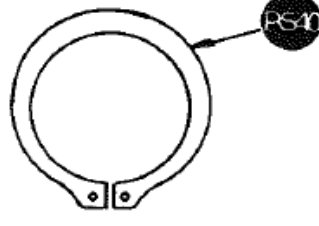
TYPE "R" AIR FRICTION CLUTCH

MODEL 44

CLUTCH SIZE / PART NUMBER

Item No.	Description	Quantity	44-R Mod.A. May 1964	44-R Mod.B. Jan.1967	44-R Mod.C. Aug.1970	44-R Mod.D. Nov.1975
RS-35	Clutch Lining Screw Nuts	24 pcs.	5815-0-0004-2	5815-0-0004-2	5815-0-0004-2	5815-0-0004-2
RS-36	End Plate Screws	2 pcs.	2013-2-0721-2	1314-3-0015-2	1314-3-0015-2	1314-3-0015-2
RS-37	End Plate - (Crankshaft)	1 pc.	0043-3-0046-2	0043-3-0046-2	0043-3-0046-2	3288-B-1105-2
RS-38	Clutch Body	1 pc.	0047-1-0095-2	0047-1-0095-2	0047-1-0095-2	3684-C-8620-2
RS-39	Shaft Key	1 pc.	5560-0-0225-2	5560-0-0225-2	5560-0-0225-2	5560-0-0225-2

Below are illustrations showing design changes on the "R" and "SU" clutches.
Below each illustration is the model and approximate years to which they apply.
The items highlighted in black with white numbers are those that are referred to on previous pages.

<p>AIR SWIVEL</p>  <p>RS18 used on type 14-R and 44R models "A", "B" and "C" 1964-1975.</p>	<p>AIR SWIVEL</p>  <p>RS18 used on type 11-SU, 21-SU, 31-SU and 41-SU model "B" 1966-1975.</p>	
<p>AIR SWIVEL PARTS</p>  <p>RS18 used on models "A" and "B" 1961-1970.</p>	<p>AIR SWIVEL PARTS</p>  <p>RS18 used on model "C" 1970-1975.</p>	
<p>CLUTCH FRICTION DISC WELD</p>  <p>RS30 used on models "A", "B", "C" and "D" 1964 to present.</p>		<p>SNAP RING</p>  <p>RS40 used on 241-SU and 371-SU models "A", "B", and "D" clutches only.</p>