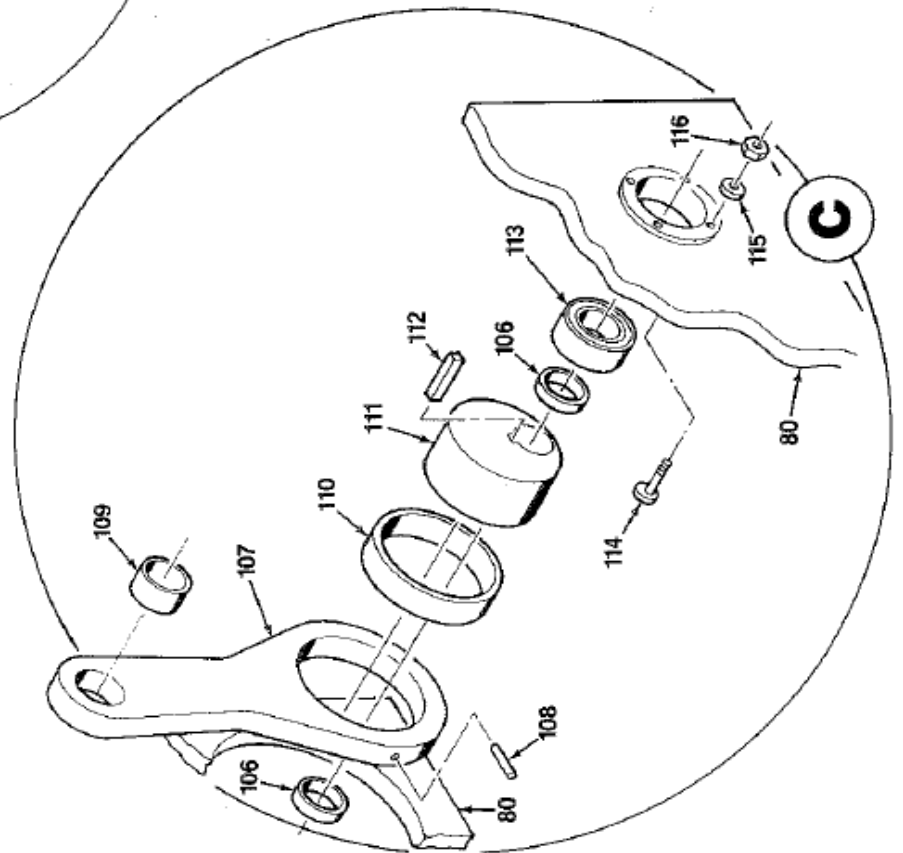
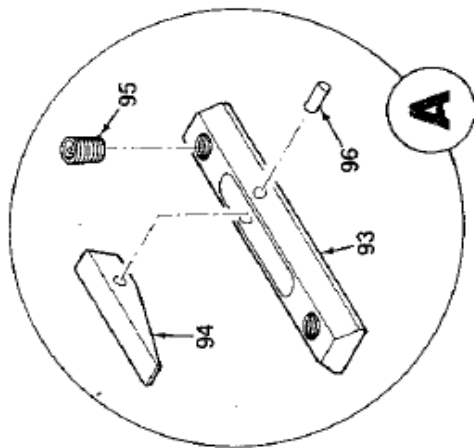
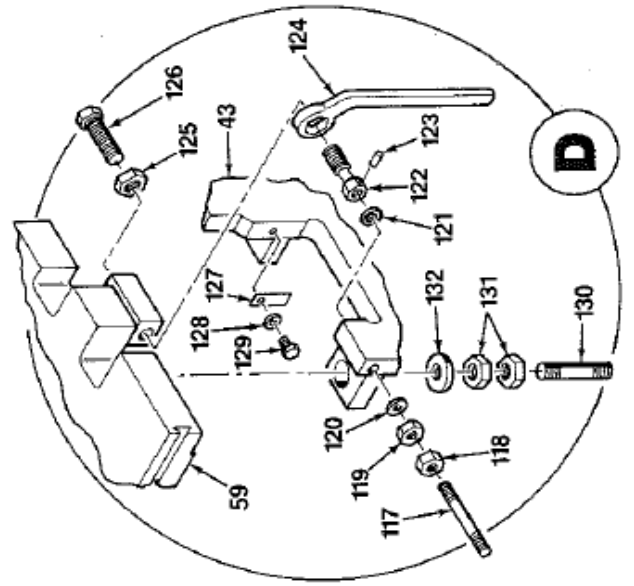
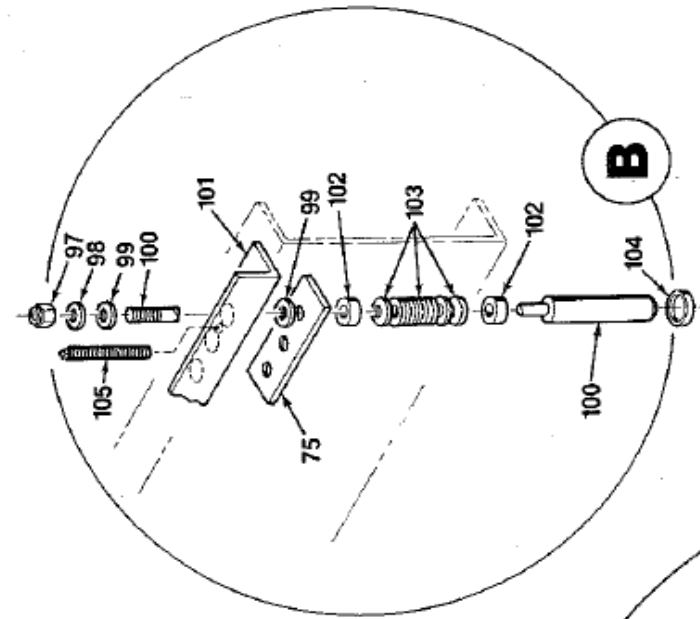


FRAME



- | | | |
|---------------------------------------|------------------------------------|------------------------------------------------------|
| 1. Ram | 32. Control Box | 63. Washer |
| 2. Lubricator Bracket | 33. Push Button Box | 64. Rear Cover |
| 3. Bracket Mounting Screw | 34. Bearing Support Mounting Screw | 65. Rear Cover Mounting Screw |
| 4. Lubricator | 35. R.H. Bearing Support | 66. Connection Pin |
| 5. Lubricator Mounting Screw | 36. Retaining Ring | 67. Connection Pin Retainer |
| 6. Washer | 37. Bearing | 68. Retainer Mounting Screw |
| 7. Backgagge (see separate part list) | 38. Retaining Ring | 69. L.H. Gib Liner Backing |
| 8. Holddown Foot Lift Block | 39. Bed Shoe | 70. Motor Drive and Gearbox (see separate part list) |
| 9. Lift Block Mounting Screw | 40. Shoe Lock | 71. Solenoid Valve |
| 10. Moving Blade | 41. Screw | 72. Valve Mounting Screw |
| 11. Reverse Key Plow Bolt | 42. Bed Beam Screw | 73. Filter/Regulator/Lubricator |
| 12. Washer | 43. R.H. Housing | 74. Mounting Screw |
| 13. Hex Nut | 44. Side Gage | 75. Holddown Assembly |
| 14. Brace Rod | 45. Side Gage Mounting Screw | 76. Holddown Mounting Screw |
| 15. Hex Nut | 46. Scale | 77. L.H. Knife Guard |
| 16. Gib Liner | 47. Scale Clamp Screw | 78. R.H. Knife Guard |
| 17. Gib Shim | 48. Scale Clamp Washer | 79. Knife Guard Mounting Screw |
| 18. Gib Liner Mounting Screw | 49. Front Bracket | 80. L.H. Housing |
| 19. Gib Spacer | 50. 'V' - Head Bolt | 81. L.H. Holddown Guard |
| 20. Gib Spacer Mounting Screw | 51. Hex Nut | 82. R.H. Holddown Guard |
| 21. Limit Switch Cam | 52. Liner Backing Mounting Screw | 83. Holddown Guard Mounting Screw |
| 22. Cam Mounting Screw | 53. R.H. Gib Liner Backing | 84. Roll Pin |
| 23. Washer | 54. Fixed Blade | 85. Holddown End Guard |
| 24. Limit Switch | 55. Reverse Key Plow Bolt | 86. End Guard Mounting Screw |
| 25. Limit Switch Mounting Screw | 56. Bolt Pocket Cover | 87. Pillow Block Bracket |
| 26. Limit Switch Mounting Block | 57. Pocket Cover Screw | 88. Bracket Mounting Screw |
| 27. Block Mounting Screw | 58. Bed Beam | 89. Washer |
| 28. Washer | 59. Bed | 90. Pillow Block |
| 29. Push Button Bracket | 60. Eccentric Shaft | 91. Pillow Block Mounting Screw |
| 30. Control Bracket | 61. Rear Chute and Support | 92. Foot Switch |
| 31. Bracket Mounting Screw | 62. Chute Mounting Screw | |



FRAME DETAILS

DISAPPEARING STOP - DETAIL A

- 93. Disappearing Stop Bracket
- 94. Disappearing Stop
- 95. Lock Screw
- 96. Disappearing Stop Pin

HOLDDOWN & FOOT - DETAIL B

- 97. Elastic Stop Nut
- 98. Washer
- 99. Upper Holddown Foot Washer
- 100. Holddown Foot
- 101. Holddown Foot Lift Angle
- 102. Holddown Foot Spacer
- 103. Disc Spring Washer
- 104. Holddown Foot Cup
- 105. Jack Screw

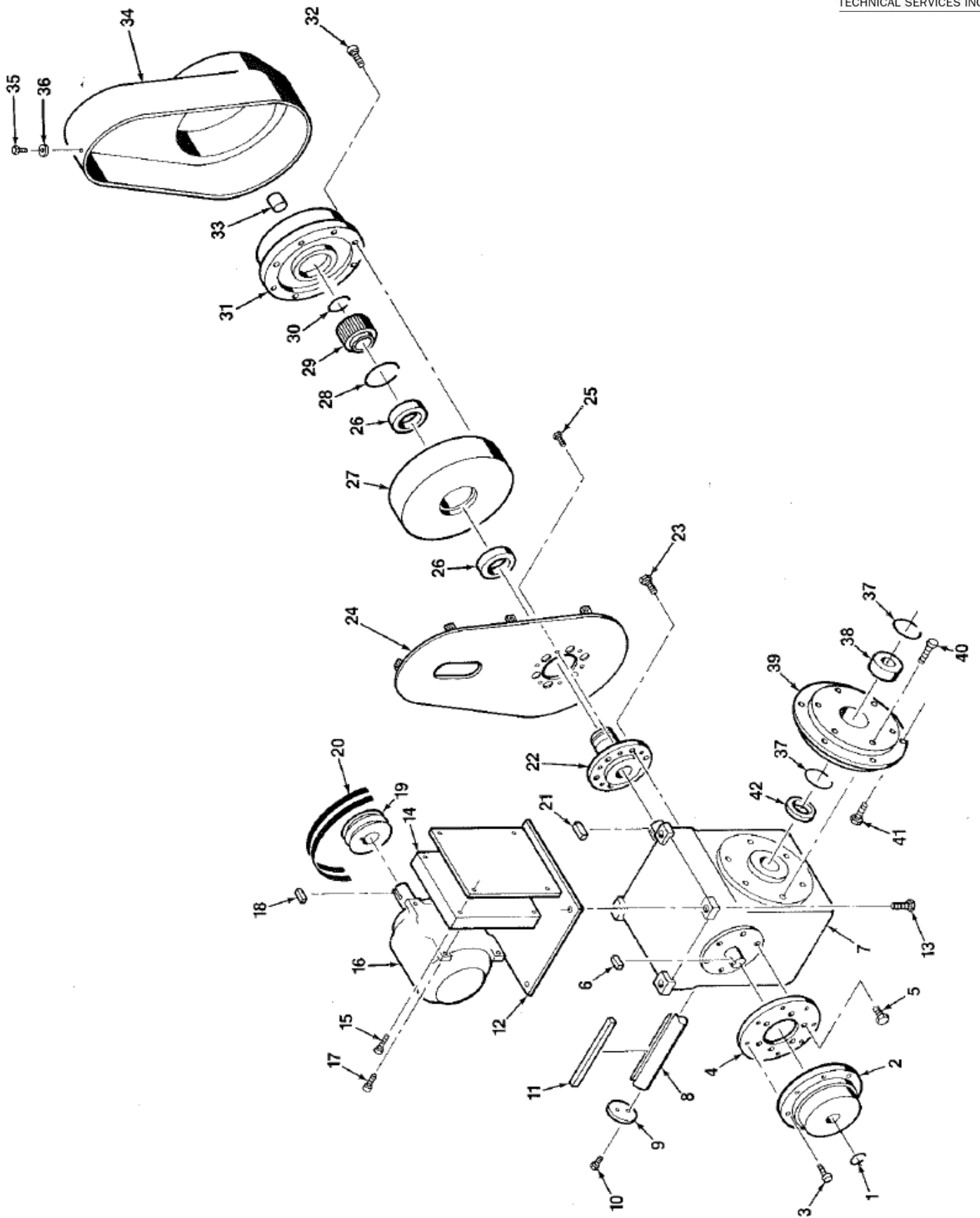
ECCENTRIC ASSEMBLY - DETAIL C

- 106. Bearing Spacer
- 107. Eccentric Connection
- 108. Dowel
- 109. Bushing
- 110. Bushing

- 111. Eccentric
- 112. Eccentric Key
- 113. Bearing
- 114. Bearing Retainer Bolt
- 115. Washer
- 116. Hex Nut

BED ADJUSTMENT ASSEMBLY - DETAIL D

- 117. Adjusting Stud
- 118. Hex Jam Nut
- 119. Hex Nut
- 120. Washer
- 121. Washer
- 122. Front Adjusting Bolt
- 123. Roll Pin
- 124. Bed Adjusting Wrench
- 125. Hex Jam Nut
- 126. Rear Adjusting Bolt
- 127. Adjusting Spacer
- 128. Washer
- 129. Screw
- 130. Bed Stud
- 131. Hex Jam Nut
- 132. Adjusting Washer



DRIVE AND GEAR BOX

1. Retaining Ring
2. Brake Hub
3. Brake Mounting Screw
4. Brake Mounting Plate
5. Plate Mounting Screw
6. Brake Hub Key
7. Gear Box
8. Eccentric Shaft (*reference*)
9. Shaft Clamp
10. Shaft Clamp Screw
11. Key
12. Motor Bracket
13. Motor Bracket Screws
14. Sliding Motor Base
15. Motor Base Screw
16. Motor
17. Motor Mounting Screw
18. Motor Sheave Key
19. Motor Sheave
20. V - Belts
21. Clutch Hub Key
22. Quill
23. Quill Mounting Screw
24. Belt Guard Back Plate
25. Back Plate Mounting Screw
26. Bearing
27. Flywheel
28. Retaining Ring
29. Clutch Hub
30. Retaining Ring
31. Clutch
32. Clutch Mounting Screws
33. Union
34. Belt Guard
35. Belt Guard Mounting Screws
36. Washer
37. Retaining Ring
38. Bearing
39. Gear Box Mounting Plate
40. Gear Box Mounting Screws
41. Plate Mounting Screws
42. Gear Box Spacer

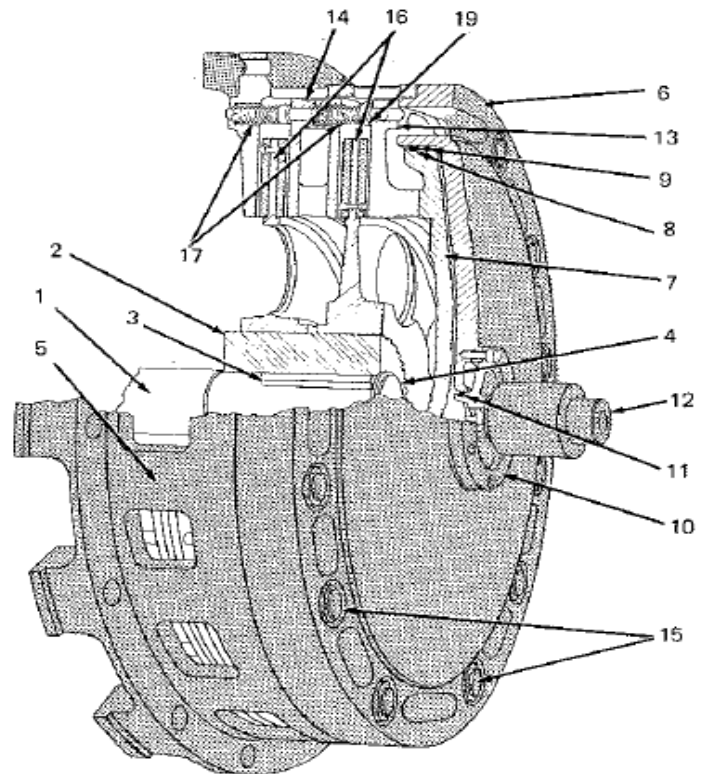
AIR FRICTION CLUTCH - TYPE LI-P

1. Drive Shaft
2. Driving Hub
3. Key
4. Retainer Ring
5. Clutch Housing
6. Clutch Cylinder
7. Clutch Piston
8. Piston Wiper
9. Piston "O" Ring
10. Rotary Air Seal Adapter
11. Adapter "O" Ring
12. Rotary Air Seal
13. Pressure Plate
14. Inner Pressure Plate
- *15. Pressure Plate Guides & Nut
16. Friction Disc
17. Spreader Spring
18. Spring Guide
19. Guide Collar

*Refer to Table for recommended torque value.

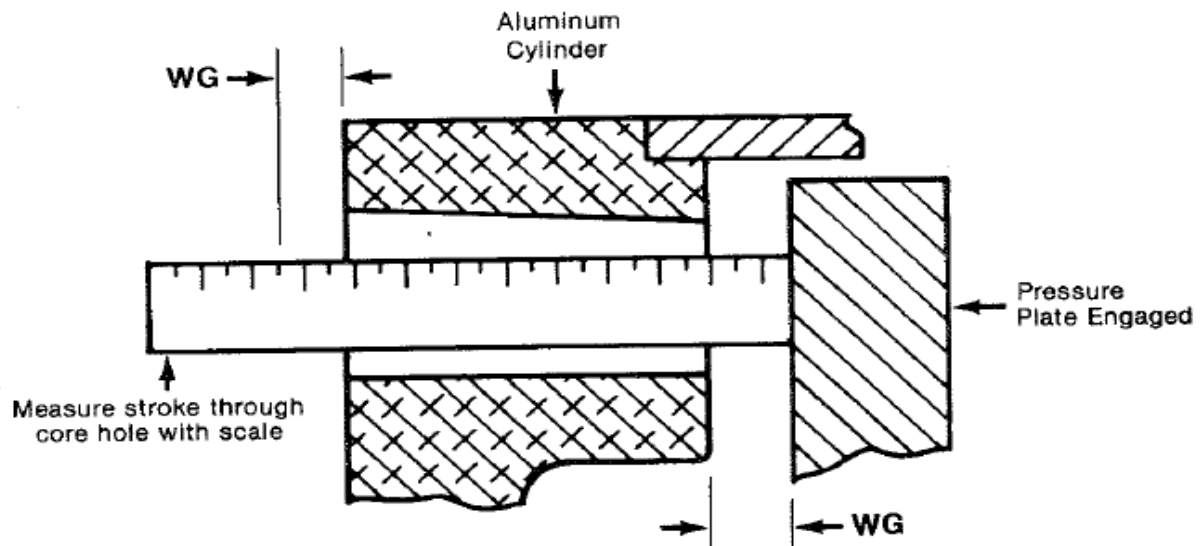
TORQUE VALUES BY FRICTION DISC DIAMETER	
11"	35-40 ft/lbs

11" 35-40 ft/lbs



CLUTCH LINING REPLACEMENT

Replace linings on Niagara Air Friction Clutches when WG is equal to or greater than the WG given in the following table:



DISC RELINE SPECIFICATIONS

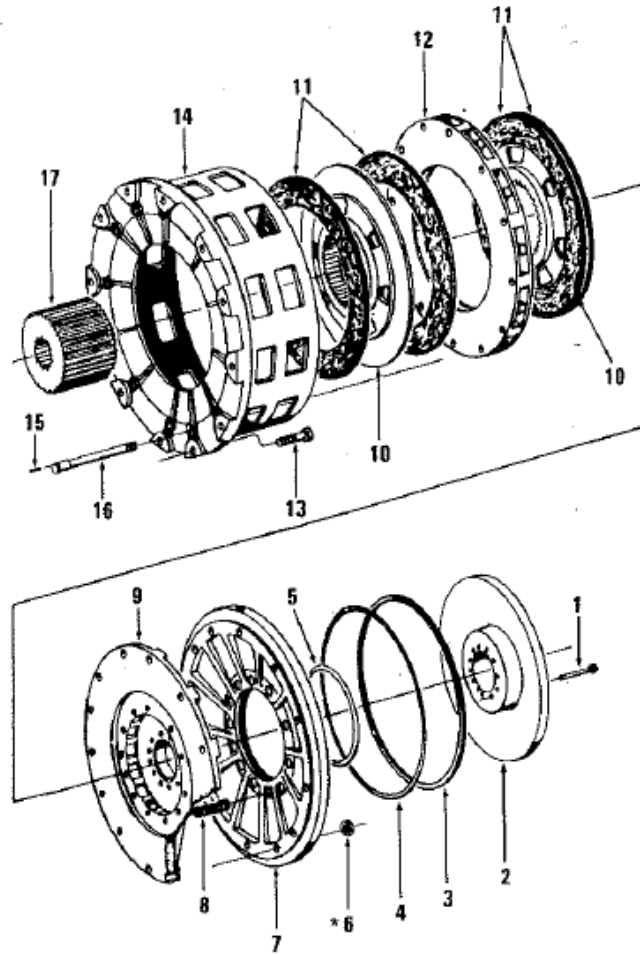
Disc Diameter	Thickness New	Thickness for Reline
11½"	.56"	.44"

DISC QTY.	DISC DIA.	WG
1	08"	1/4"

AIR RELEASING DISC BRAKE



1. Piston Screw (Remove to replace seal and rings.)
2. Piston
3. Piston Dust Seal
4. Piston Ring (outer)
5. Piston Ring (inner)
- *6. Cylinder Stud Nut (Remove to replace linings.)
7. Cylinder
8. Spring
9. Pressure Plate
10. Brake Disc (quantity may vary)
11. Brake Lining (quantity may vary)
12. Center Plate (not used with single disc)
13. Brake Ring Mounting Screw
14. Brake Ring
15. Brake Stud Pin
16. Brake Stud
17. Brake Hub
18. Lining Rivet (not shown)

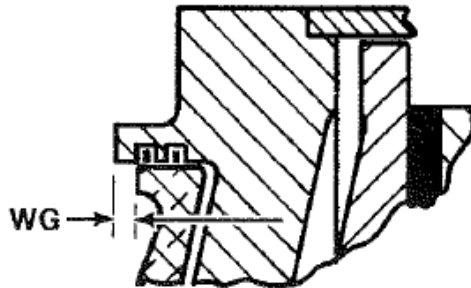


* Refer to Table for recommended torque value.

TORQUE VALUES BY FRICTION DISC DIAMETER	
11"	35-40 ft/lbs

BRAKE LINING REPLACEMENT

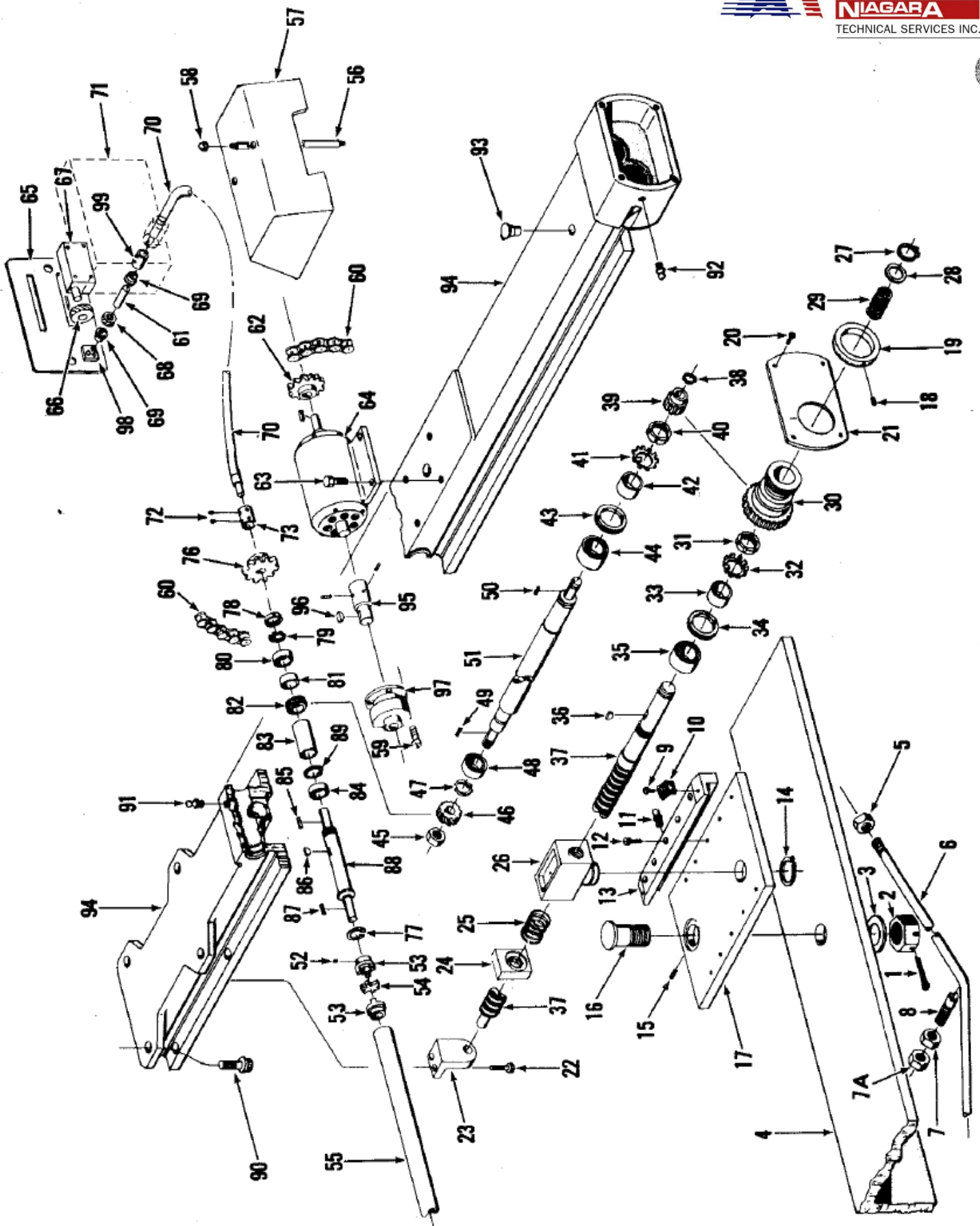
Replace linings on Niagara Air Releasing Brakes when the WG reaches the WG figure given in the following tables:



DISC RELINE SPECIFICATIONS

DISC QTY.	DISC DIA.	WG
1	08"	1/8"

Disc Diameter	Thickness New	Thickness for Reline
11 1/2"	.56"	.44"



BACKGAGE



- | | | |
|-------------------------------|--------------------------|-----------------------------------------------|
| 1. Cotter Pin | 33. Bearing Spacer | 66. Counter Helical Gear |
| 2. Castle Nut | 34. Bearing Nut | 67. Counter |
| 3. Washer | 35. Bearing | 68. Shaft Helical Gear |
| 4. Gage Bar | 36. Adjusting Collar Key | 69. Bushing |
| 5. Brace Rod Nuts | 37. Adjusting Screw | 70. Flexible Shaft |
| 6. Brace Rod | 38. Retaining Ring | 71. Indicator Bracket |
| 7. Jam Nut | 39. Adjusting Gear | 72. Set Screw |
| 7A Brace Rod Bolt | 40. Locknut | 73. Shaft Adapter |
| 8. Brace Rod Bolt | 41. Lockwasher | 76. Driveshaft Sprocket |
| 9. Wiper Fastening Screw | 42. Bearing Spacer | 77. Outside Retaining Ring |
| 10. Wiper | 43. Bearing Nut | 78. Locknut |
| 11. Lube Fitting | 44. Bearing | 79. Lockwasher |
| 12. Slide Cap Fastening Screw | 45. Retaining Nut | 80. Bearing |
| 13. Slide Cap | 46. Worm Gear | 81. Gear Spacer |
| 14. Retaining Ring | 47. Retaining Ring | 82. Helical Gear |
| 15. Set Screw | 48. Bearing | 83. Bearing Spacer |
| 16. Slide Stud | 49. Worm Gear Key | 84. Bearing |
| 17. Slide | 50. Collar Key | 85. Coupling Key (Used only with Part No. 53) |
| 18. Set Screw | 51. Intermediate Shaft | 86. Helical Gear Key |
| 19. Indicating Collar | 52. Set Screw | 87. Coupling Key (Used only with Part No. 53) |
| 20. Plate Mounting Screw | 53. Coupling Half | 88. Drive Shaft |
| 21. Gear Cover Plate | 54. Coupling Insert | 89. Inside Retaining Ring |
| 22. Support Mounting Screw | 55. Connecting Shaft | 90. Bracket Mounting Screw |
| 23. Screw Support | 56. Mounting Rod | 91. Center Gear Case Lube Fitting |
| 24. Backlash Nut | 57. Guard | 92. End Gear Case Lube Fitting |
| 25. Backlash Spring | 58. Acorn Nut | 93. Oil Cup |
| 26. Adjusting Nut | 59. Mounting Screw | 94. Gage Brackets |
| 27. Retaining Ring | 60. Chain | 95. Shaft Extension |
| 28. Washer | 61. Pinion Shaft | 96. Woodruff Key |
| 29. Adjusting Collar Spring | 62. Motor Sprocket | 97. Brake |
| 30. Adjusting Collar | 63. Motor Mounting Screw | 98. Retainer |
| 31. Locknut | 64. Motor | 99. Coupling |
| 32. Lockwasher | 65. Indicator Cover | |