

PARTS LIST

MODELS 12, 13, 14, 15, 16

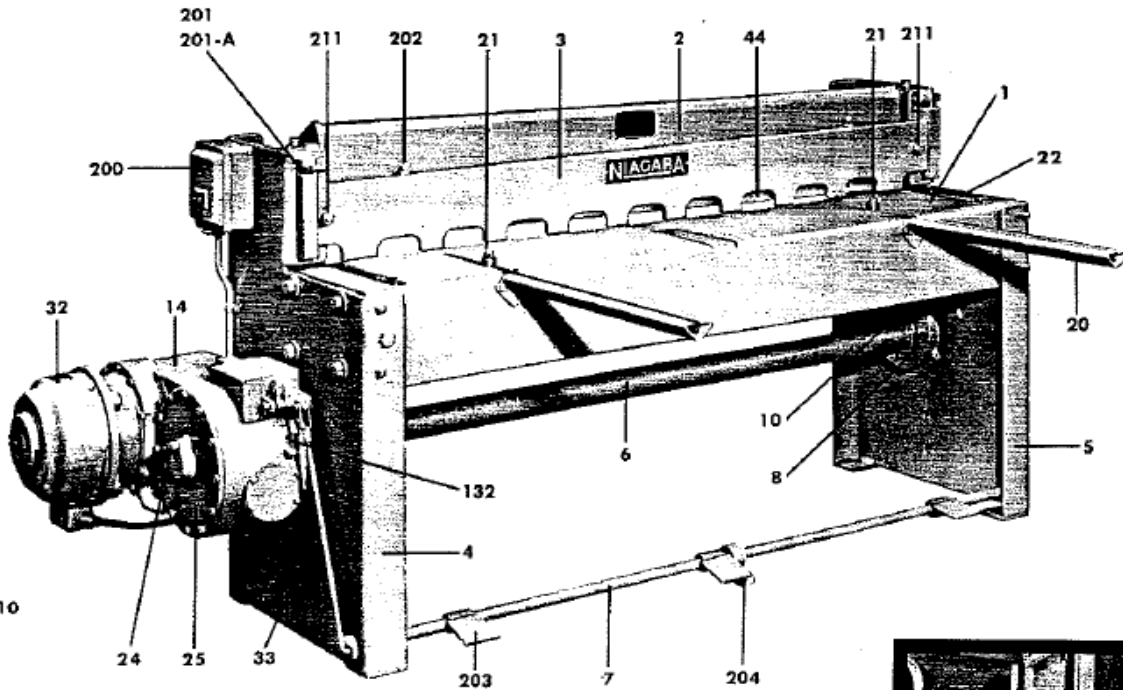


FIG. 10

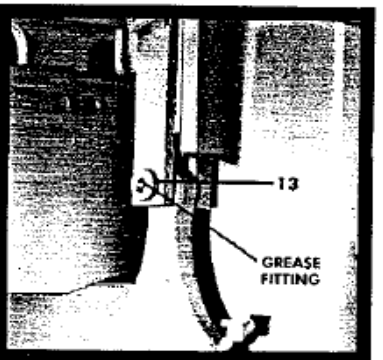
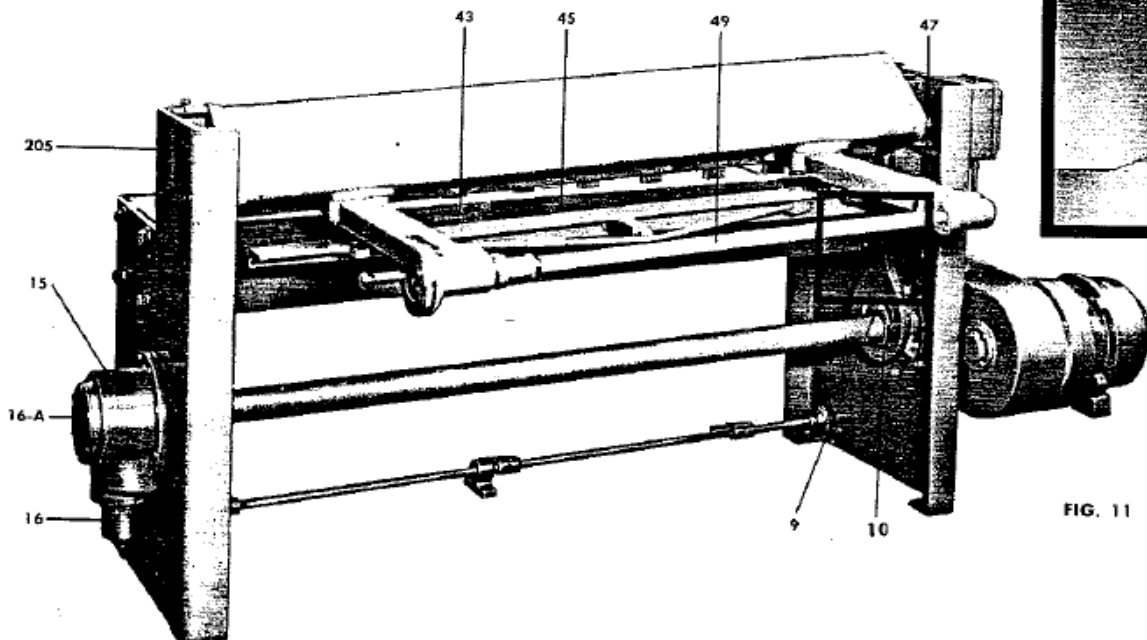


FIG. 11

Part Nos. for Figs. 10, 11, 12 and 13

- 1. Bed
- 2. Crosshead
- 3. Holddown
- 4. Left Hand Housing
- 5. Right Hand Housing
- 6. Eccentric Shaft
- 7. Treadle Shaft
- 8. R.H. Eccentric

- 9. L.H. Eccentric
- 10. Crosshead Eccentric Straps
- 13. Crosshead Wrist Pins
- 14. Gear Box
- 15. Detent Cam Box
- 16. Detent Spring Pin
- 16-A. Detent Cam Box Cover

- 20. Front Brackets
- 21. Front Gage Bolts
- 22. Side Gage
- 24. Eccentric Head Cover Bolts
(one on Models 12-16, three on 110 & 1R Models)
- 25. Gear Box Cover
- 32. Motor

When ordering parts always give the catalog and serial number of the shear. The serial number is stamped at or near the front left corner of the bed and also on the metal lubrication plate. Be sure to use complete names of parts listed for positive identification.

MODELS 18, 110, 1R4 TO 1R10

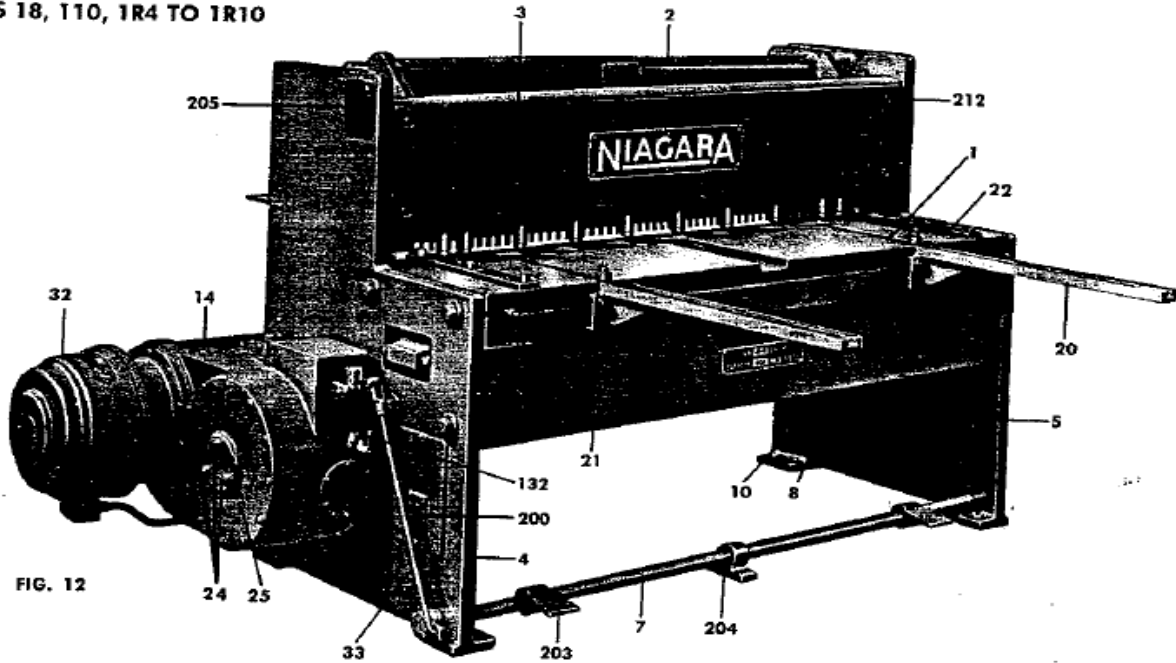


FIG. 12

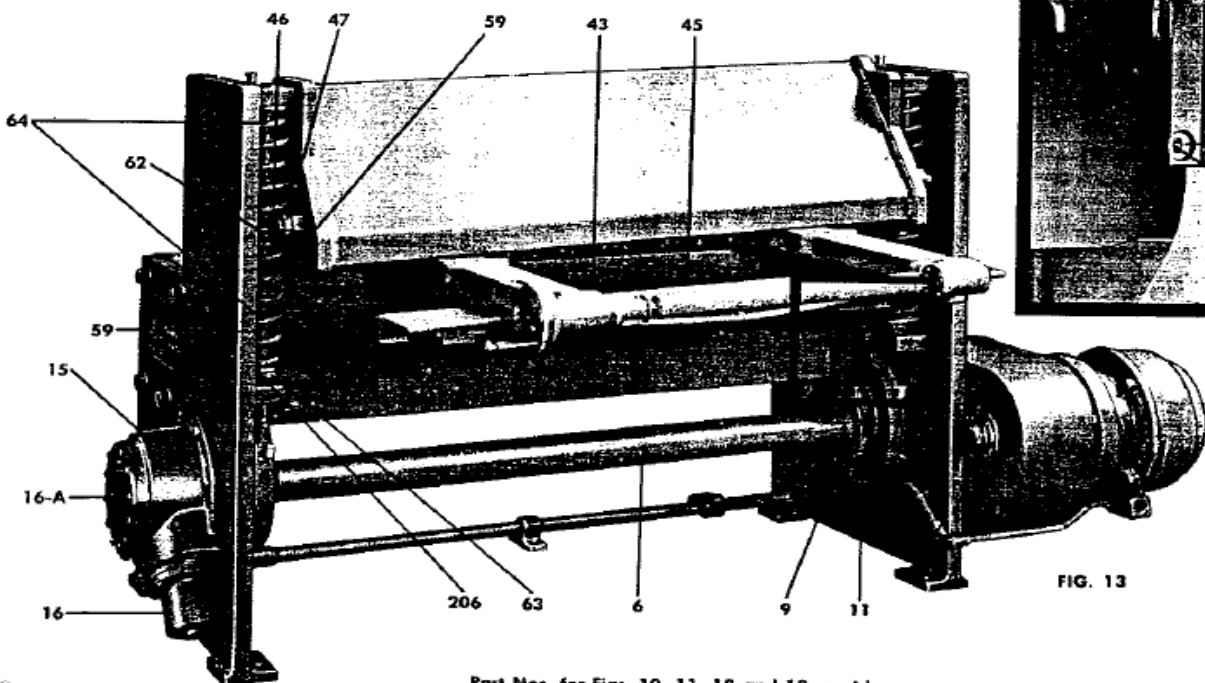


FIG. 13

Part Nos. for Figs. 10, 11, 12 and 13, contd.

- 33. Treadle Connection
- 43. Lower Knife
- 44. Upper Knife
- 45. Knife Plow Bolts
- 46. Crosshead Brace Rod
- 47. Crosshead Brace Rod Adjustment Nut
- 49. Back Gage Squaring Shaft
- 59. Counterbalance Spring Rod

- 62. Center Counterbalance Spring Washer
- 63. Lower Counterbalance Washer
- 64. Counterbalance Springs
- 132. Locking Bar Handle
- 200. Starter
- 201. Holddown Plunger
- * 201-A. Holddown Plunger Spring
- 202. Holddown Lifting Adjustment Screws

- 203. Treadle Foot
- 204. Treadle Rod Support
- 205. Lubrication Plate
- 211. Holddown Locknuts
- 212. Holddown Retainer Screws
- 206. Jam Nut

* Not Illustrated

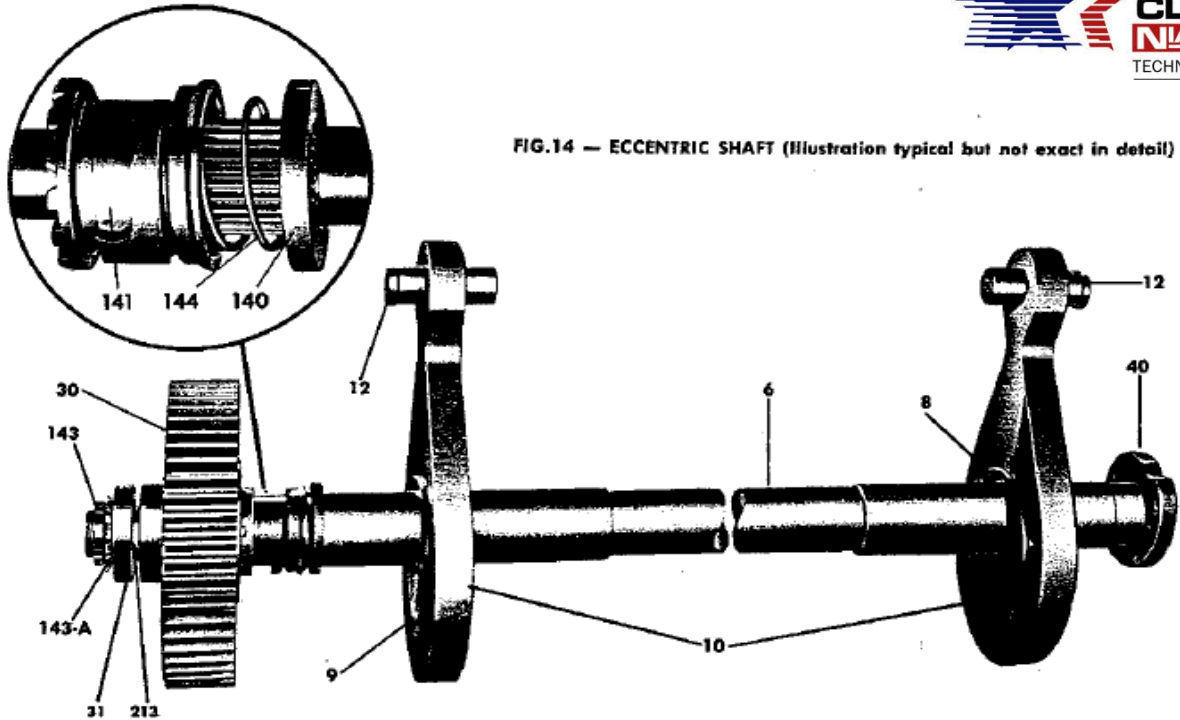


FIG. 14 — ECCENTRIC SHAFT (Illustration typical but not exact in detail)

- | | |
|--------------------------------|---------------------------|
| 6. Eccentric Shaft | 40. Detent Cam |
| 8. R.H. Eccentric | 140. Single Stroke Cam |
| 9. L.H. Eccentric | 141. Clutch Sleeve |
| 10. Crosshead Eccentric Straps | 143. Locknut |
| 12. Crosshead Wrist Pins | 143-A. Lockwasher |
| 30. Clutch Gear | 144. Clutch Sleeve Spring |
| 31. Cover Bearing | 213. Spacer |

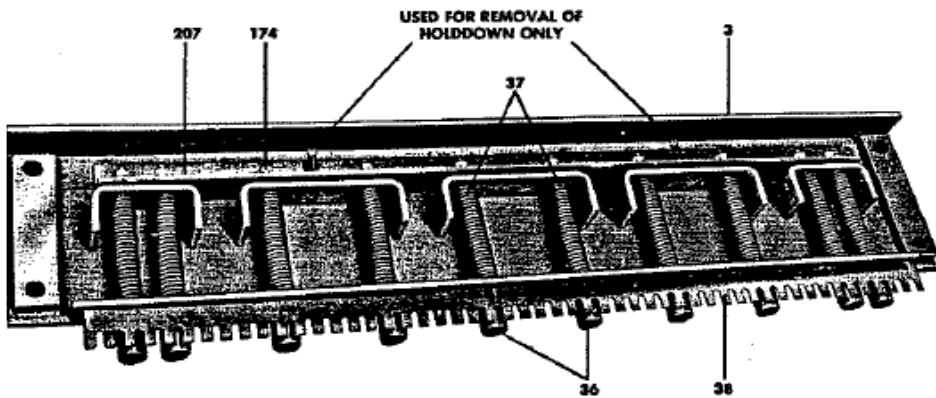


FIG. 15 HOLDDOWN

for models 18, 110, 1R4 to 1R10 (rear view)

- | | |
|---------------------|----------------------------------|
| 3. Holddown | 38. Knife Guard |
| 36. Holddown Foot | 174. Holddown Foot Retaining Nut |
| 37. Holddown Spring | 207. Holddown Lifting Bar |

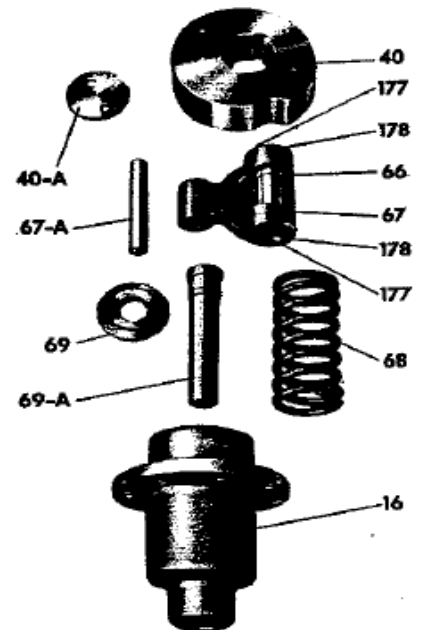


FIG. 16 —DETENT BRAKE

- | |
|-----------------------------------|
| 16. Detent Spring Pat |
| 40. Detent Cam |
| 40-A. Detent Cam Housing Washer |
| 66. Detent Cam Roller |
| 67. Detent Cam Lever |
| 67-A. Detent Lever Pin |
| 68. Detent Spring |
| 69. Detent Spring Plunger |
| 69-A. Detent Plunger Stem |
| 177. Detent Cam Roller Bearings |
| 178. Detent Cam Roller Snap Rings |

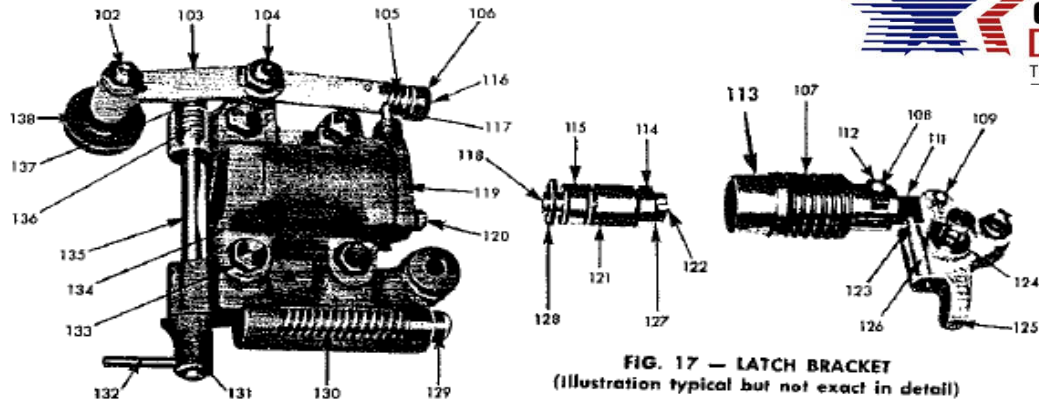


FIG. 17 — LATCH BRACKET
(Illustration typical but not exact in detail)

- | | | | |
|----------------------------------|---------------------------------|---------------------------------|---------------------------------|
| 102. Cam Roller Shaft | 112. Throwout Key | 121. Spacing Collar | 130. Treadle Spring |
| 103. Cam Lever | 113. Throwout | 122. Throwout Shaft Lock Nut | 131. Locking Bar Indicator |
| 104. Cam Lever Pin | 114. Throwout Bearing Ball | 123. Latch Spring Pin | 132. Locking Bar Handle |
| 105. Selector Knob Spring | 115. Throwout Bearing Needle | 124. Bell Crank Pin | 133. Throwout Housing Cap Screw |
| 106. Single Stroke Selector Knob | 116. Selector Knob Pin | 125. Bell Crank | 134. Throwout Housing |
| 107. Throwout Spring | 117. Sliding Pin | 126. Latch Spring | 135. Locking Bar |
| 108. Throwout Pin | 118. Throwout Shaft | 127. Lock Washer | 136. Locking Bar Spring |
| 109. Latch Hinge Pin | 119. Throwout Housing End Cover | 128. Throwout Shaft Collar Nuts | 137. Locking Bar End Collar |
| 111. Latch | 120. End Cover Cap Screw | 129. Treadle Spring Plunger | 138. Cam Roller |

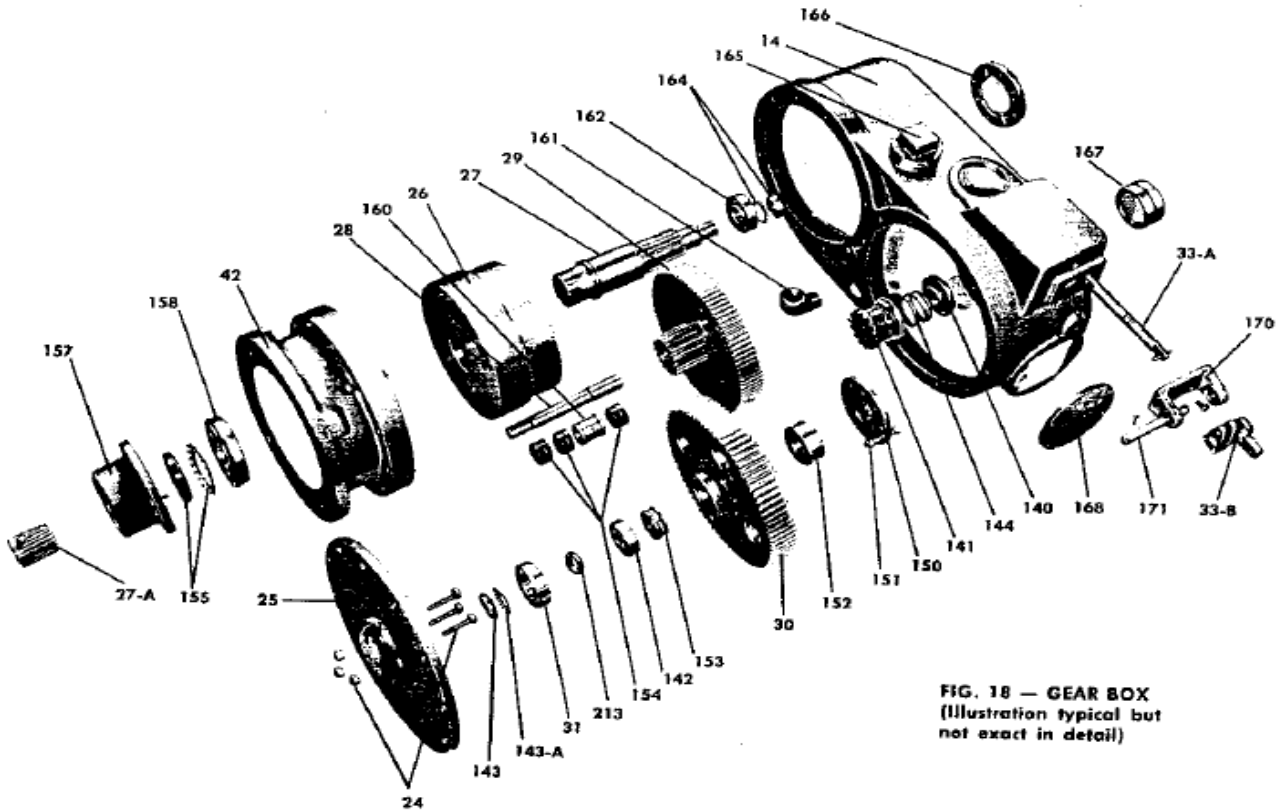
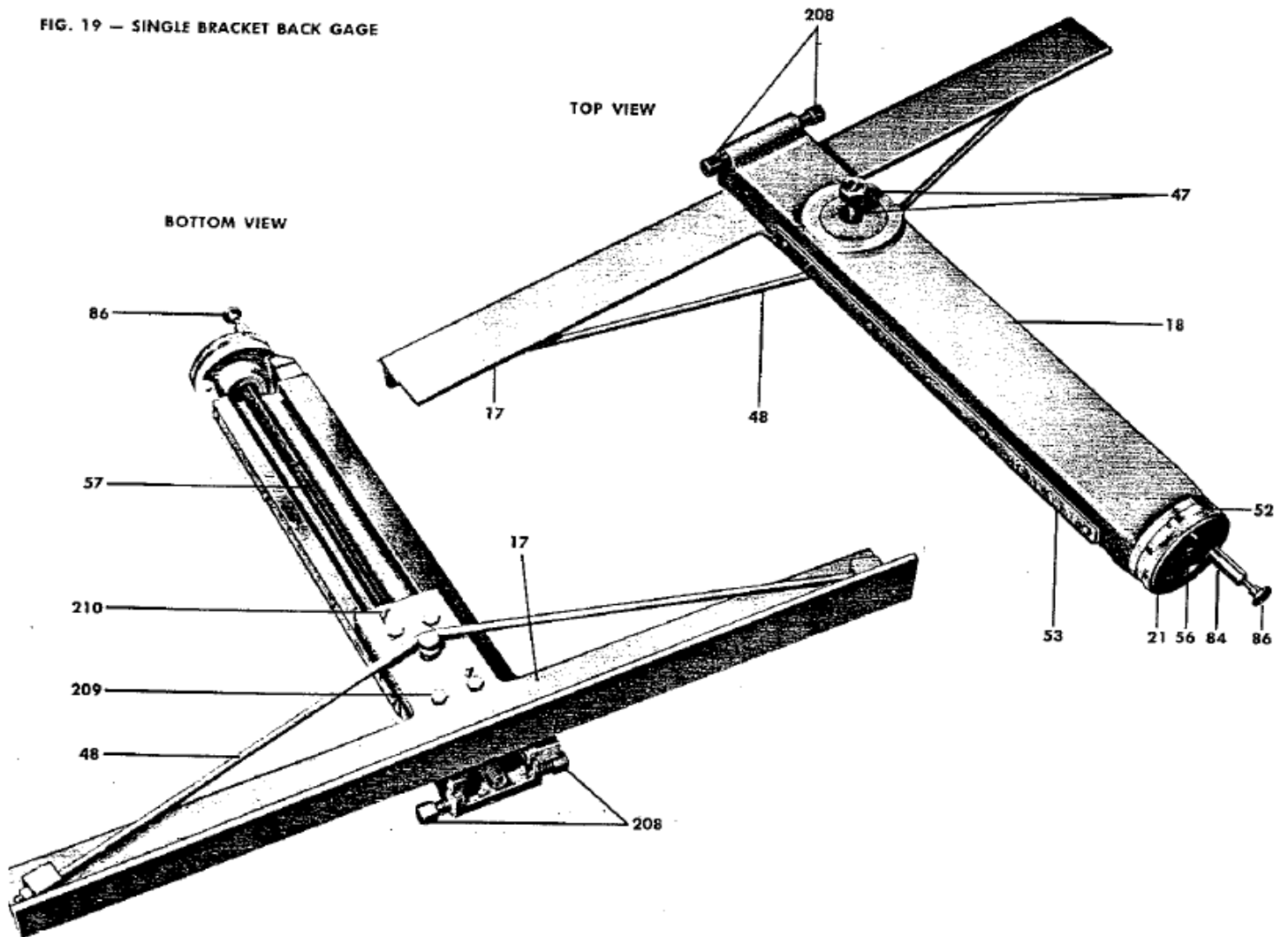


FIG. 18 — GEAR BOX
(Illustration typical but not exact in detail)

- | | | |
|--|----------------------------------|--|
| 14. Gear Box | 42. Motor Adapter Flange | 157. Oil Catcher and Bearing Retainer |
| 24. Cover Bolts and Nuts | 140. Single Stroke Cam | 158. Pinion Shaft Flywheel Bearing |
| 25. Gear Box Cover | 141. Clutch Sleeve | 160. Intermediate Shaft Bearing Spacer |
| 26. Flywheel | 142. Outer Clutch Gear Bearings | 161. Oil Level Elbow |
| 27. Drive Shaft | 143. Locknut | 162. Pinion Shaft Bearing |
| 27-A. Splined Motor Coupling | 143-A. Lockwasher | 164. Locknut and Washer |
| 28. Intermediate Shaft | 144. Clutch Sleeve Spring | 165. Single Stroke Cam Cover |
| 29. Intermediate Gear and Pinion Cluster | 150. Clutch Wheel Face | 166. Pinion Shaft Bearing Cover |
| 30. Clutch Gear | 151. Clutch Face Bolt and Nut | 167. Eccentric Shaft Bearing |
| 31. Cover Bearing | 152. Inner Clutch Gear Bearing | 168. Inspection Cover |
| 33-A. Treadle Connecting Link | 153. Clutch Gear Bearing Spacer | 170. Treadle Lever Bracket |
| 33-B. Upper Treadle Lever | 154. Intermediate Shaft Bearings | 171. Treadle Lever Pin |
| | 155. Locknut and Washer | 213. Spacer |

FIG. 19 — SINGLE BRACKET BACK GAGE



- 17. Back Gage Bar
- 18. Single Bracket
- 21. Back Gage Handwheel
- 47. King Pin Bolt and Nut
- 48. Back Gage Brace Rod
- 52. Handwheel Scale
- 53. Bracket Scale
- 56. Handwheel Nut
- 57. Single Bracket Back Gage Adjusting Screw
- *58. Single Bracket Back Gage Slide
- 84. Handle
- 86. Knob
- 208. Set Screws
- 209. Mounting Screws
- 210. Dowel

* Not Illustrated

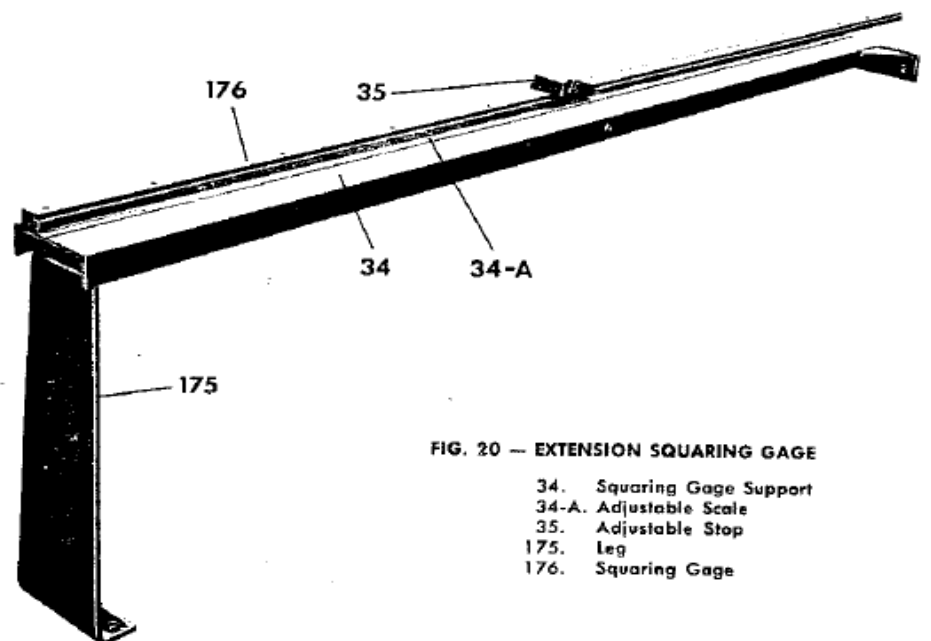


FIG. 20 — EXTENSION SQUARING GAGE

- 34. Squaring Gage Support
- 34-A. Adjustable Scale
- 35. Adjustable Stop
- 175. Leg
- 176. Squaring Gage

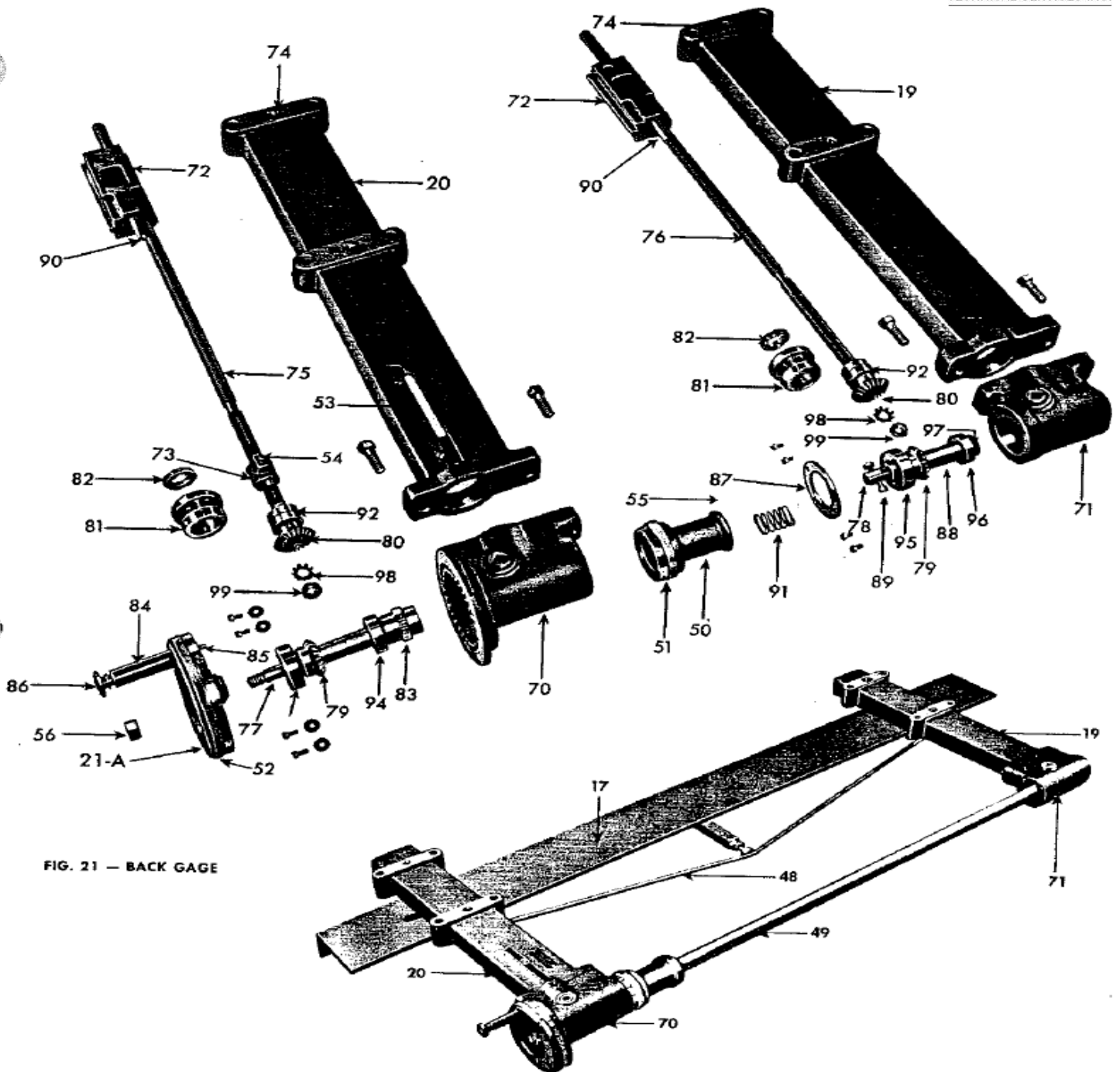


FIG. 21 — BACK GAGE

- | | | |
|-------------------------------------|--------------------------------------|--|
| 17. Back Gage Bar | 71. Left Hand Gear Case | 86. Knob |
| 19. Left Hand Back Gage Bracket | 72. Slides | 87. Ring for Left Hand Gear Case |
| 20. Right Hand Back Gage Bracket | 73. Indicator Nut | 88. Spacing Collar for Left Hand Shaft |
| 21-A. Back Gage Handwheel | 74. Bracket Dowels | 89. Bolt for Connecting Shaft |
| 48. Back Gage Brace Rod | 75. Right Hand Adjusting Screw | 90. Stop Pins |
| 49. Back Gage Squaring Shaft | 76. Left Hand Adjusting Screw | 91. Spring for Coupling Sleeve |
| 50. Back Gage Sleeve | 77. Shaft for Right Hand Gear Case | 92. Double Bearings for Adjusting Screws |
| 51. Locking Sleeve Scale | 78. Shaft for Left Hand Gear Case | 93. R.H. Bearing for R.H. Shaft |
| 52. Handwheel Scale | 79. Bevel Gears for Gear Case | 94. L.H. Bearing for R.H. Shaft |
| 53. Bracket Scale | 80. Bevel Gears for Adjusting Screws | 95. R.H. Bearing for L.H. Shaft |
| 54. Back Gage Adjusting Screw | 81. Retainer Bushings | 96. L.H. Bearing for L.H. Shaft |
| Indicator Nut | 82. Nuts for Retainer Bushings | 97. Nut for Left Hand Shaft |
| 55. Woodruff Key for Locking Sleeve | 83. Coupling Gear | 98. Lockwashers for Adjusting Screws |
| 56. Handwheel Nut | 84. Handle | 99. Locknuts for Adjusting Screws |
| 70. Right Hand Gear Case | 85. Locking Pin | *100. Handle Spring |

* Not Illustrated