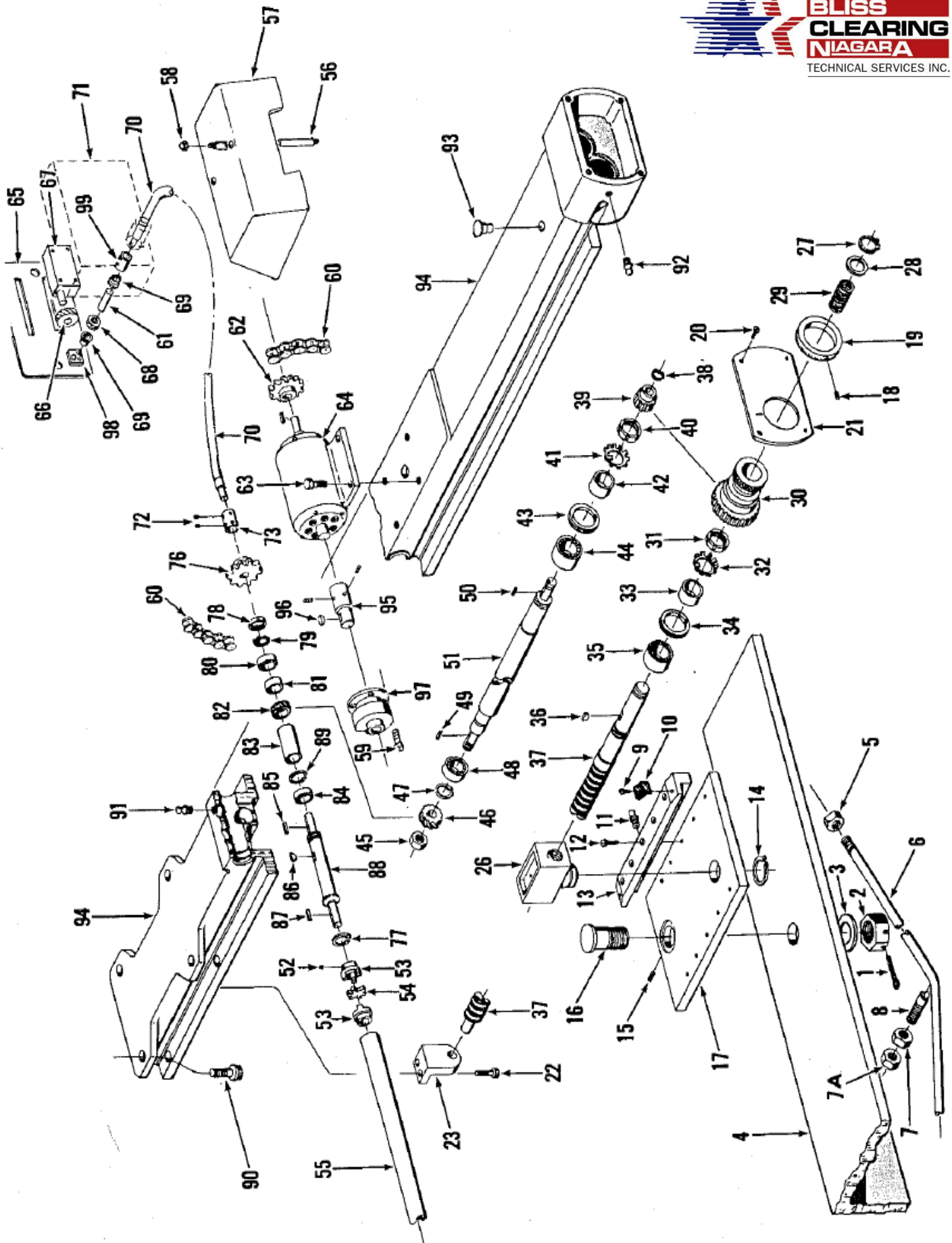


2. Guard (End — Specify Right Or Left Hand)
3. Guard
5. Cylinder Mounting Socket Head Cap Screw
6. Holddown Cylinder (Replacements Available)
7. Holddown Socket Head Cap Screw
8. Holddown Beam
9. Fastening Bolt
10. Mounting Bracket
- 10A Shock Mount
11. Lamp
12. Socket
13. Channel
14. Foot Switch
15. Control Box
16. Nut
17. Dove Tail Bolt
18. Front Bracket
19. Scale Mounting Screw & Washer
20. Bed Scale
21. Side Gage Mounting Bolt
22. Side Gage
23. Bed Mounting Bolt
24. Washer
25. Bed Adjusting Bolt
26. Locknut
27. Bed Adjustment Cover
28. Sleeve Bolt
29. Nut & Washer
30. Reservoir Mounting Bolt
31. Reverse Key Plow Bolt
32. Fixed Blade
33. Belleville Spring Assembly
34. Bed Adjusting Sleeve
35. Plate Mounting Bolt
36. Front Cover Plate
37. Bed
38. Reservoir & Pump Assembly
39. Pocket Cover
40. End Cover Plate (Specify Right Or Left Hand)
41. Retaining Ring

42. Frame Cylinder Pin
43. Retaining Ring
44. Ram Cylinder Pin
45. R.H. Main Cylinder — See Separate Part List
46. L.H. Main Cylinder (Not Shown) — See Separate Part List
47. Backing Mounting Bolt
48. Liner Backing
49. Liner Mounting Screw
50. Front Gib Liner
51. Liner Mounting Screw
52. Rear Gib Liner
53. Reverse Key Plow Bolt
54. Moving Blade
55. Nut & Washer
56. Backgage (See Separate Part List)
57. Brace Rod Nut
58. R.H. Brace Rod
59. Turn Buckle
60. L.H. Brace Rod
61. Brace Rod Bolt
62. Adjusting Nut
- 62A Lock Nut
63. Ram
64. Frame (One Piece)
65. Hand Wheel
66. Roll Pin
67. Stroke Control Rod
68. Jam Nuts
69. Stroke Control Bar
70. Stroke Control Guide
71. Limit Switch
72. Limit Switch Angle
73. Jam Nut
74. Limit Switch Stop
75. Angle Screw
76. Guide Screw
77. Limit Switch
78. Blade Guard
79. Dial Indicator
80. Pin
81. Adjusting Screw Mount Block

FRAME





BACKGAGE



- | | | |
|---------------------------------|--------------------------|---|
| 1. Cotter Pin | 33. Bearing Spacer | 66. Counter Helical Gear |
| 2. Castle Nut | 34. Bearing Nut | 67. Counter |
| 3. Washer | 35. Bearing | 68. Shaft Helical Gear |
| 4. Gage Bar | 36. Adjusting Collar Key | 69. Bushing |
| 5. Brace Rod Nuts | 37. Adjusting Screw | 70. Flexible Shaft |
| 6. Brace Rod | 38. Retaining Ring | 71. Indicator Bracket |
| 7. Jam Nut | 39. Adjusting Gear | 72. Set Screw |
| 7A Brace Rod Bolt Adjusting Nut | 40. Locknut | 73. Shaft Adapter |
| 8. Brace Rod Bolt | 41. Lockwasher | 76. Driveshaft Sprocket |
| 9. Wiper Fastening Screw | 42. Bearing Spacer | 77. Outside Retaining Ring |
| 10. Wiper | 43. Bearing Nut | 78. Locknut |
| 11. Lube Fitting | 44. Bearing | 79. Lockwasher |
| 12. Slide Cap Fastening Screw | 45. Retaining Nut | 80. Bearing |
| 13. Slide Cap | 46. Worm Gear | 81. Gear Spacer |
| 14. Retaining Ring | 47. Retaining Ring | 82. Helical Gear |
| 15. Set Screw | 48. Bearing | 83. Bearing Spacer |
| 16. Slide Stud | 49. Worm Gear Key | 84. Bearing |
| 17. Slide | 50. Collar Key | 85. Coupling Key (Used only with Part No. 53) |
| 18. Set Screw | 51. Intermediate Shaft | 86. Helical Gear Key |
| 19. Indicating Collar | 52. Set Screw | 87. Coupling Key (Used only with Part No. 53) |
| 20. Plate Mounting Screw | 53. Coupling Half | 88. Drive Shaft |
| 21. Gear Cover Plate | 54. Coupling Insert | 89. Inside Retaining Ring |
| 22. Support Mounting Screw | 55. Connecting Shaft | 90. Bracket Mounting Screw |
| 23. Screw Support | 56. Mounting Rod | 91. Center Gear Case Lube Fitting |
| | 57. Guard | 92. End Gear Case Lube Fitting |
| | 58. Acorn Nut | 93. Oil Cup |
| 26. Adjusting Nut | 59. Mounting Screw | 94. Gage Brackets |
| 27. Retaining Ring | 60. Chain | 95. Shaft Extension |
| 28. Washer | 61. Pinion Shaft | 96. Woodruff Key |
| 29. Adjusting Collar Spring | 62. Motor Sprocket | 97. Brake |
| 30. Adjusting Collar | 63. Motor Mounting Screw | 98. Retainer |
| 31. Locknut | 64. Motor | 99. Coupling |
| 32. Lockwasher | 65. Indicator Cover | |

**MAIN HYDRAULIC CYLINDER
(Niagara Type)**

1. Clevis
2. Wiper Seal
3. Capscrew
4. Packing Gland
5. Rod Seal
6. Cylinder Assembly

