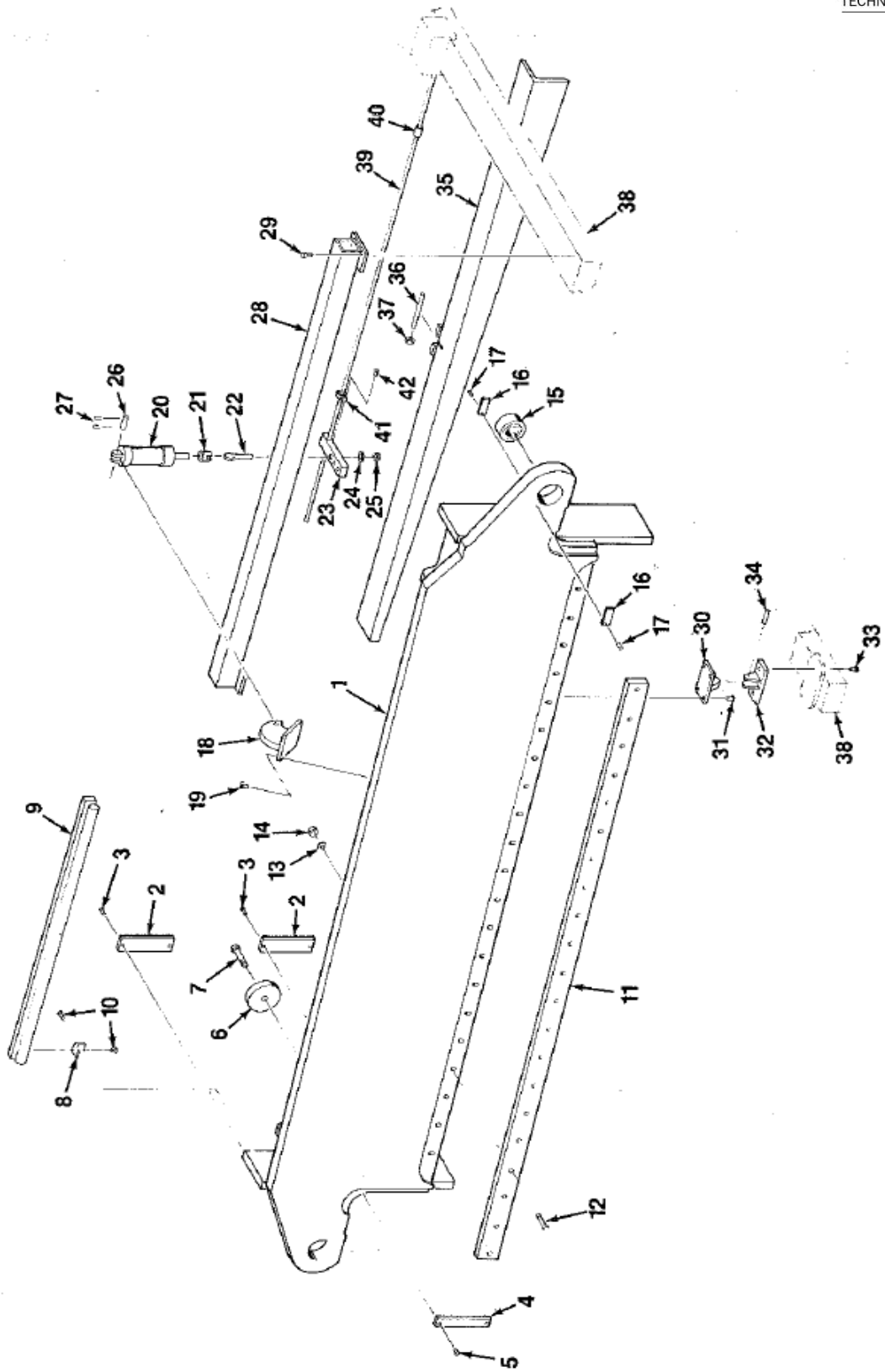


FRAME ASSEMBLY

- | | |
|--|------------------------------------|
| 1. Frame | 32. Bed Rail |
| 2. Ram Assembly (see separate part list) | 33. Side Gage |
| 3. Hydraulic Cylinder Assembly (see separate part list) | 34. Scale |
| 4. Bearing | 35. Rear Chute |
| 5. Swivel Pin | 36. Screw |
| 6. Snap Ring | 37. Top Cover |
| 7. Ram Adjustment/Blade Adjustment Assem. (see separate part list) | 38. Screw |
| 8. Holddown Bar | 39. Frame Lift Bar |
| 9. Screw | 40. Screw |
| 10. Holddown Cylinder | 41. Side Covers (specify location) |
| 11. R.H. Blade Guard | 42. Screw |
| 12. L.H. Blade Guard (not shown) | 43. L.H. Bed Cover |
| 13. Screw | 44. Center Bed Cover |
| 14. L.H. Awareness Barrier | 45. R.H. Bed Cover |
| 15. R.H. Awareness Barrier (not shown) | 46. Hydraulic Power Unit |
| 16. Screw | 47. Grease Fitting |
| 17. Holddown End Cover | 48. Foundation Screw |
| 18. Screw | 49. Leveling Screw |
| 19. Fixed Blade | 50. Spring Pot Cylinder |
| 20. Reversed Key Plow Bolt | 51. Spring Pot Screw |
| 21. Washer | 52. Disc Springs |
| 22. Hex Nut | 53. Spring Pot Piston |
| 23. Front Bed Cover | 54. Track Roller |
| 24. Screw | 55. Pin |
| 25. Front Rail | 56. Roll Pin |
| 26. Screw | 57. Grease Fitting |
| 27. Bed Rail (wide) | 58. Screw |
| 28. Bed Adjusting Screw | 59. Front Bracket (optional) |
| 29. Screw | 60. T' Slot Screw (optional) |
| 30. R.H. Bed Rail | 61. Hex Nut (optional) |
| 31. L.H. Bed Rail | |

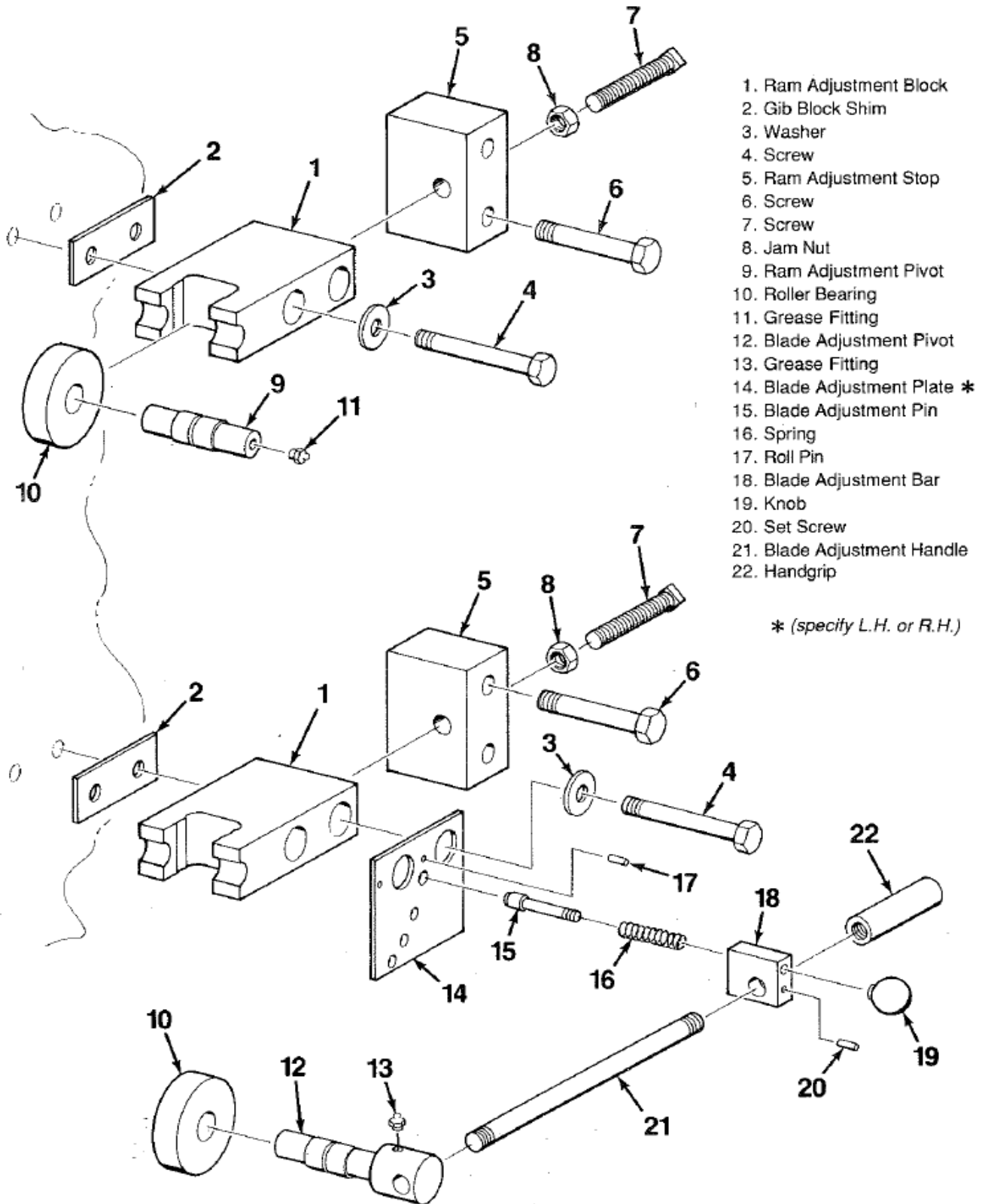


RAM ASSEMBLY



1. Ram
2. Rear Gibb
3. Screw
4. Front Gibb
5. Screw
6. End Roller
7. Shoulder Screw
8. 'L' Bracket
9. Light Fixture
10. Screw
11. Moving Blade
12. Reverse Key Plow Bolt
13. Washer
14. Hex Nut
15. Bearing
16. Bearing Keeper
17. Screw
18. Backgage Lift Bracket
19. Screw
20. Cylinder
21. Rod Clevis
22. Lift Rod Eye
23. Shaft Support
24. Washer
25. Hex Nut
26. Clevis Pin
27. Snap Ring
28. Backgage Bridge
29. Screw
30. Backgage Pivot Bracket
31. Screw
32. Backgage Hinge
33. Screw
34. Pin
35. Backgage Bar
36. Stud
37. Hex Nut
38. Backgage (see separate part list)
39. Backgage Connection Shaft
40. Coupling
41. Shaft Support Bearing
42. Screw

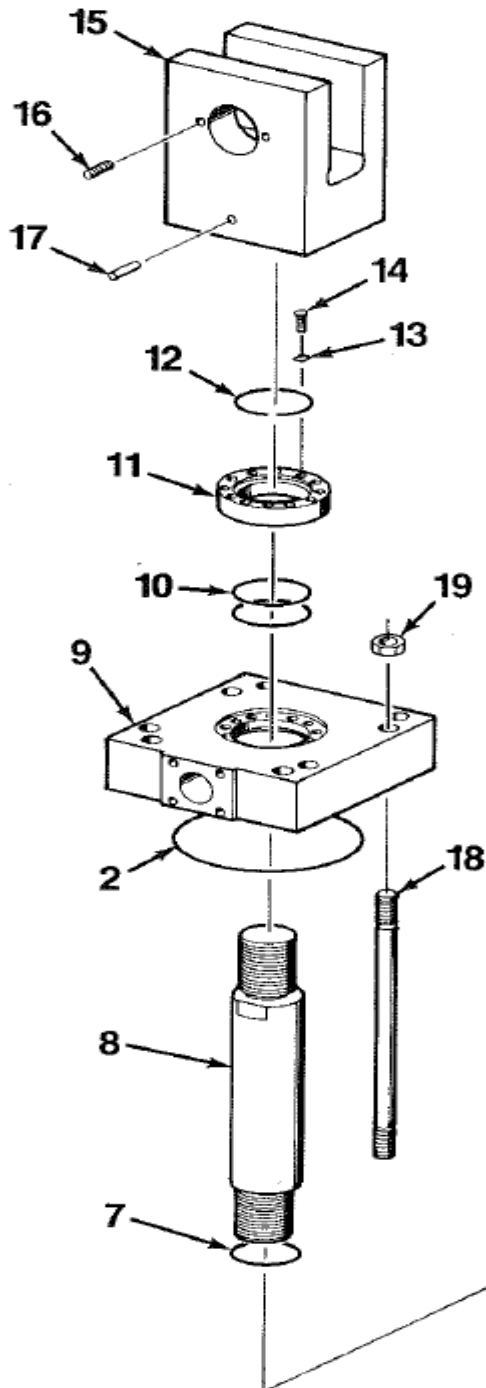
RAM/BLADE ADJUSTMENT ASSEMBLY



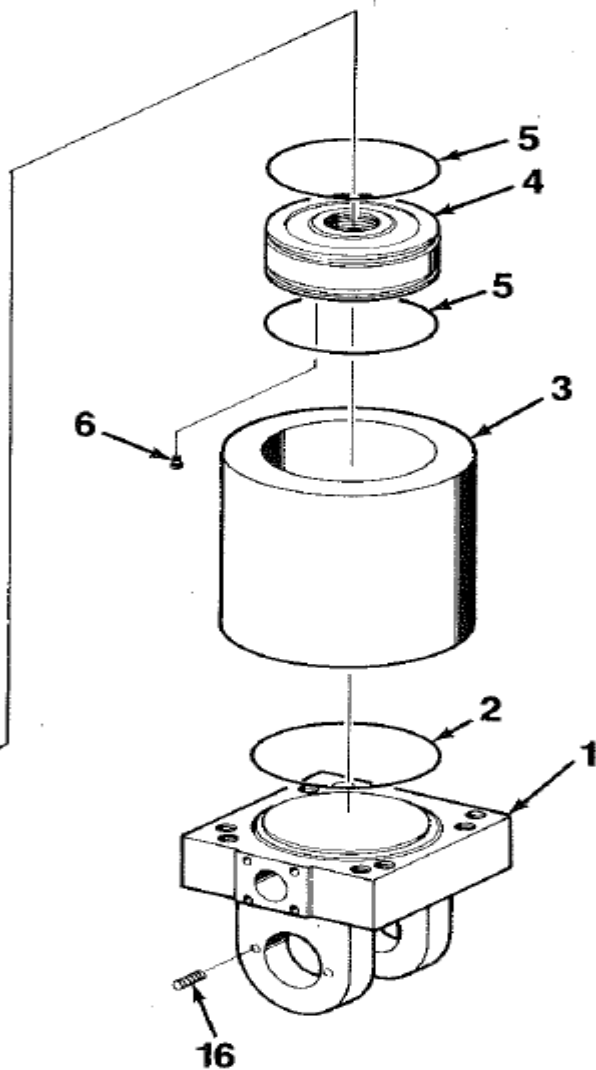
1. Ram Adjustment Block
2. Gib Block Shim
3. Washer
4. Screw
5. Ram Adjustment Stop
6. Screw
7. Screw
8. Jam Nut
9. Ram Adjustment Pivot
10. Roller Bearing
11. Grease Fitting
12. Blade Adjustment Pivot
13. Grease Fitting
14. Blade Adjustment Plate *
15. Blade Adjustment Pin
16. Spring
17. Roll Pin
18. Blade Adjustment Bar
19. Knob
20. Set Screw
21. Blade Adjustment Handle
22. Handgrip

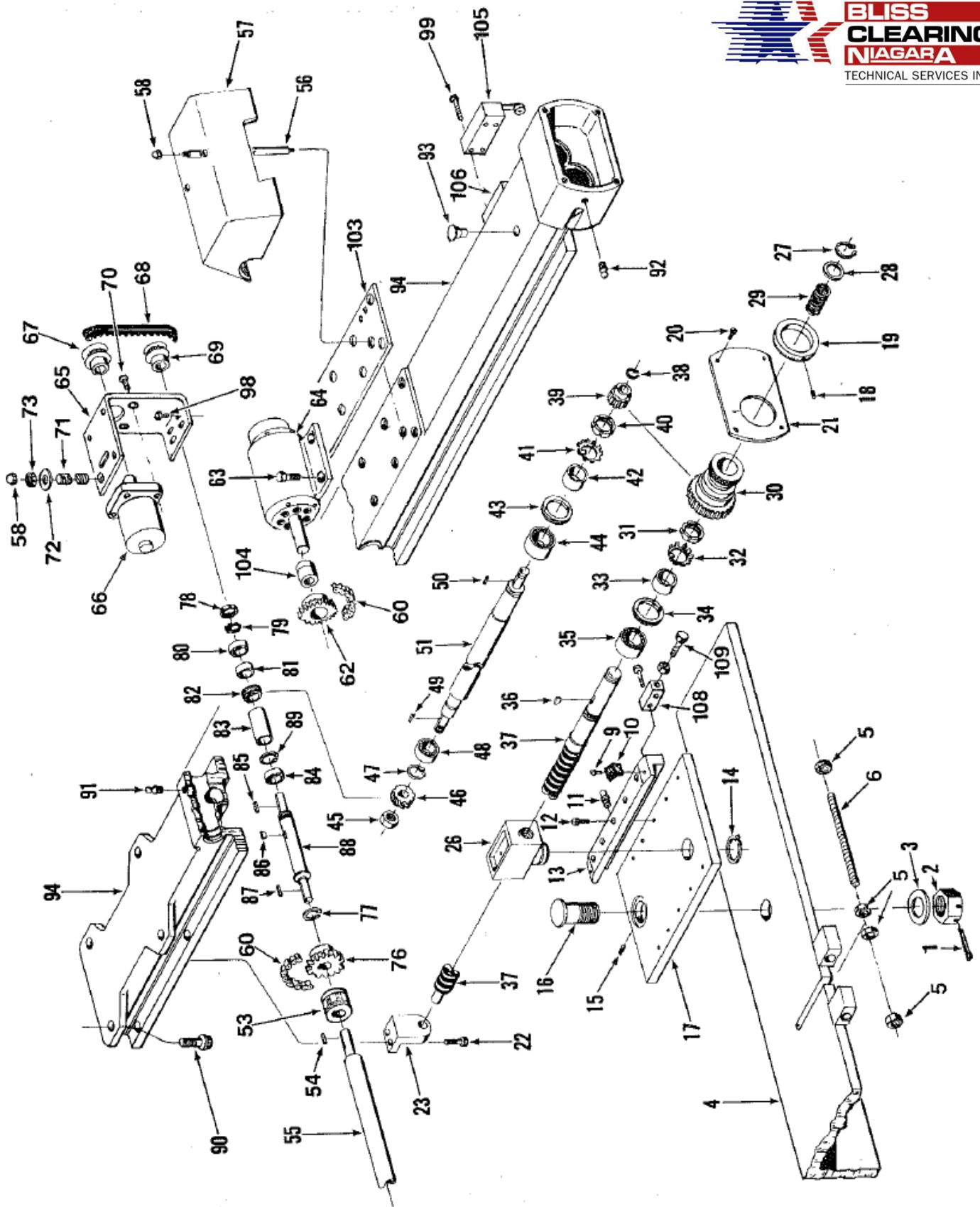
* (specify L.H. or R.H.)

CYLINDER ASSEMBLY, SPECIFY L.H. OR R.H. (Bore Size)



- | | |
|------------------------------|-------------------|
| 1. Cylinder Head, Clevis End | 11. Packing Gland |
| 2. O-Ring | 12. Seal |
| 3. Cylinder | 13. Retainer |
| 4. Piston | 14. Screw |
| 5. Seal | 15. Rod Clevis |
| 6. Screw | 16. Set Screws |
| 7. O-Ring | 17. Roll Pin |
| 8. Rod | 18. The Rod |
| 9. Cylinder Head, Rod End | 19. Hex Nut |
| 10. Seal | |





BACKGAGE



- | | | | |
|------|-------------------------------|--|--|
| 1. | Cotter Pin | | |
| 2. | Castle Nut | | |
| 3. | Washer | | |
| 4. | Gage Bar | | |
| 5. | Hex Nut | | |
| 6. | Stud | | |
| 9. | Wiper Fastening Screw | | |
| 10. | Wiper | | |
| 11. | Lube Fitting | | |
| 12. | Slide Cap Fastening Screw | | |
| 13. | Slide Cap | | |
| 14. | Retaining Ring | | |
| 15. | Set Screw | | |
| 16. | Slide Stud | | |
| 17. | Slide | | |
| 18. | Set Screw | | |
| 19. | Indicating Collar | | |
| 20. | Plate Mounting Screw | | |
| 21. | Gear Cover Plate | | |
| 22. | Support Mounting Screw | | |
| 23. | Screw Support | | |
| 26. | Adjusting Nut | | |
| 27. | Retaining Ring | | |
| 28. | Washer | | |
| 29. | Adjusting Collar Spring | | |
| 30. | Adjusting Collar | | |
| 31. | Locknut | | |
| 32. | Lockwasher | | |
| 33. | Bearing Spacer | | |
| 34. | Bearing Nut | | |
| 35. | Bearing | | |
| 36. | Adjusting Collar Key | | |
| 37. | Adjusting Screw | | |
| 38. | Retaining Ring | | |
| 39. | Adjusting Gear | | |
| 40. | Locknut | | |
| 41. | Lockwasher | | |
| 42. | Bearing Spacer | | |
| 43. | Bearing Nut | | |
| 44. | Bearing | | |
| 45. | Retaining Nut | | |
| 46. | Helical Gear | | |
| 47. | Retaining Ring | | |
| 48. | Bearing | | |
| 49. | Worm Gear Key | | |
| 50. | Collar Key | | |
| 51. | Intermediate Shaft | | |
| 53. | Coupling | | |
| 54. | Key | | |
| 55. | Connecting Shaft | | |
| 56. | Mounting Rod | | |
| 57. | Guard | | |
| 58. | Acorn Nut | | |
| 60. | Chain | | |
| 62. | Motor Sprocket | | |
| 63. | Motor Mounting Screw | | |
| 64. | Motor with Brake | | |
| 65. | Encoder Bracket | | |
| 66. | Encoder | | |
| 67. | Pulley | | |
| 68. | Belt | | |
| 69. | Pulley | | |
| 70. | Mounting Screw | | |
| 71. | Threaded Rod | | |
| 72. | Washer | | |
| 73. | Nut | | |
| 76. | Driveshaft Sprocket | | |
| 77. | Outside Retaining Ring | | |
| 78. | Locknut | | |
| 79. | Lockwasher | | |
| 80. | Bearing | | |
| 81. | Gear Spacer | | |
| 82. | Helical Gear | | |
| 83. | Bearing Spacer | | |
| 84. | Bearing | | |
| 85. | Key | | |
| 86. | Helical Gear Key | | |
| 87. | Key | | |
| 88. | Drive Shaft | | |
| 89. | Inside Retaining Ring | | |
| 90. | Bracket Mounting Screw | | |
| 91. | Center Gear Case Lube Fitting | | |
| 92. | End Gear Case Lube Fitting | | |
| 93. | Oil Cup | | |
| 94. | Gage Brackets | | |
| 98. | Mounting Screw | | |
| 99. | Mounting Screw | | |
| 102. | Lubrication Plate (Not shown) | | |
| 103. | Motor Adapter Plate | | |
| 104. | Trantorque Unit | | |
| 105. | Limit Switch | | |
| 106. | L.S. Mounting Plate | | |
| 108. | Adj. Screw Mounting Plate | | |
| 109. | Adjusting Screw | | |