

HI-LO DRIVE - MODELS IB-90 and LARGER

REACTION BRAKE

1. Shaft
2. Retaining Ring
3. Bearing
4. Spring
5. "O" Ring
6. Cylinder
7. Piston
8. "O" Ring
9. Screw
10. Disc Assembly
11. Drive Ring
12. Pressure Plate
13. Hub Plate
14. Adapter
15. Bearing
16. Bearing
17. Reaction Hub
18. Retainer Ring
19. Output Hub
20. Cap Screw
21. Sleeve
22. Flywheel
23. Locking Assemblys (2)  
(See Form A-38)

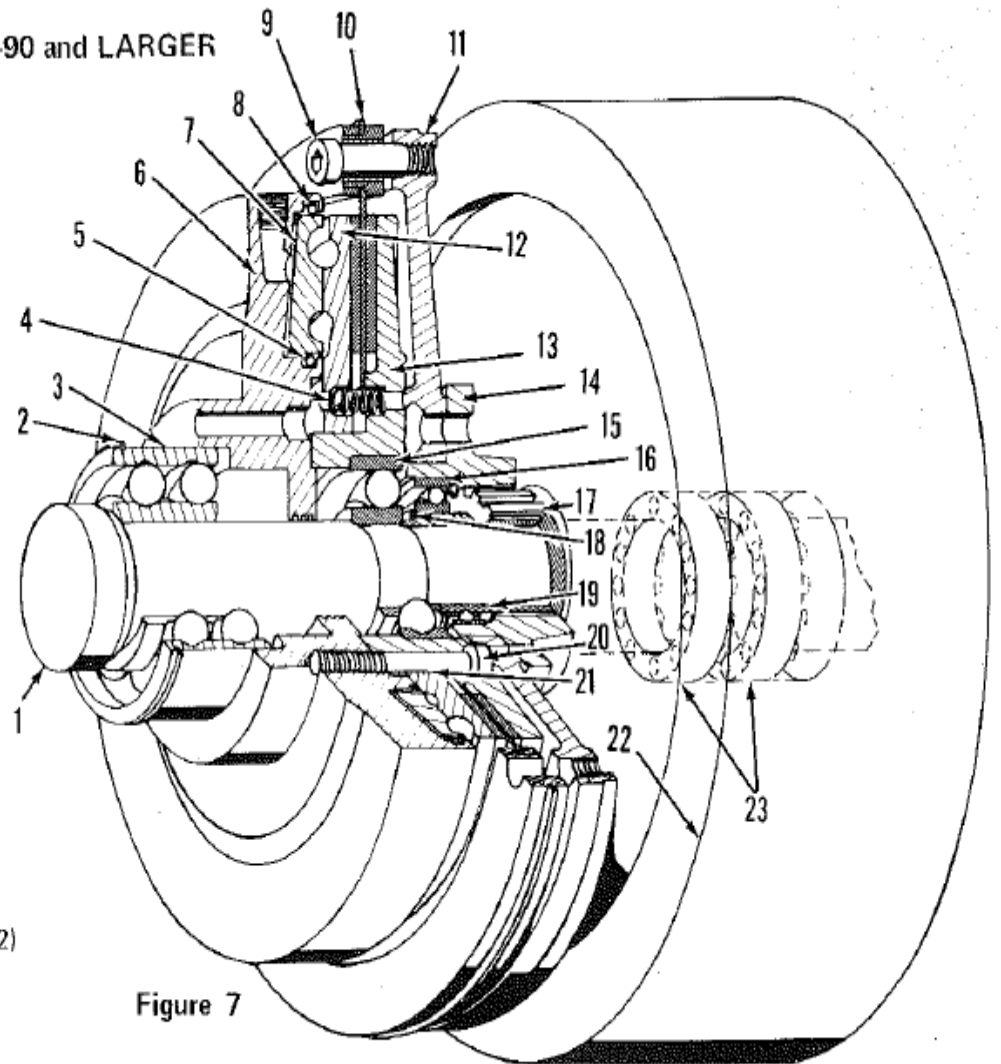


Figure 7