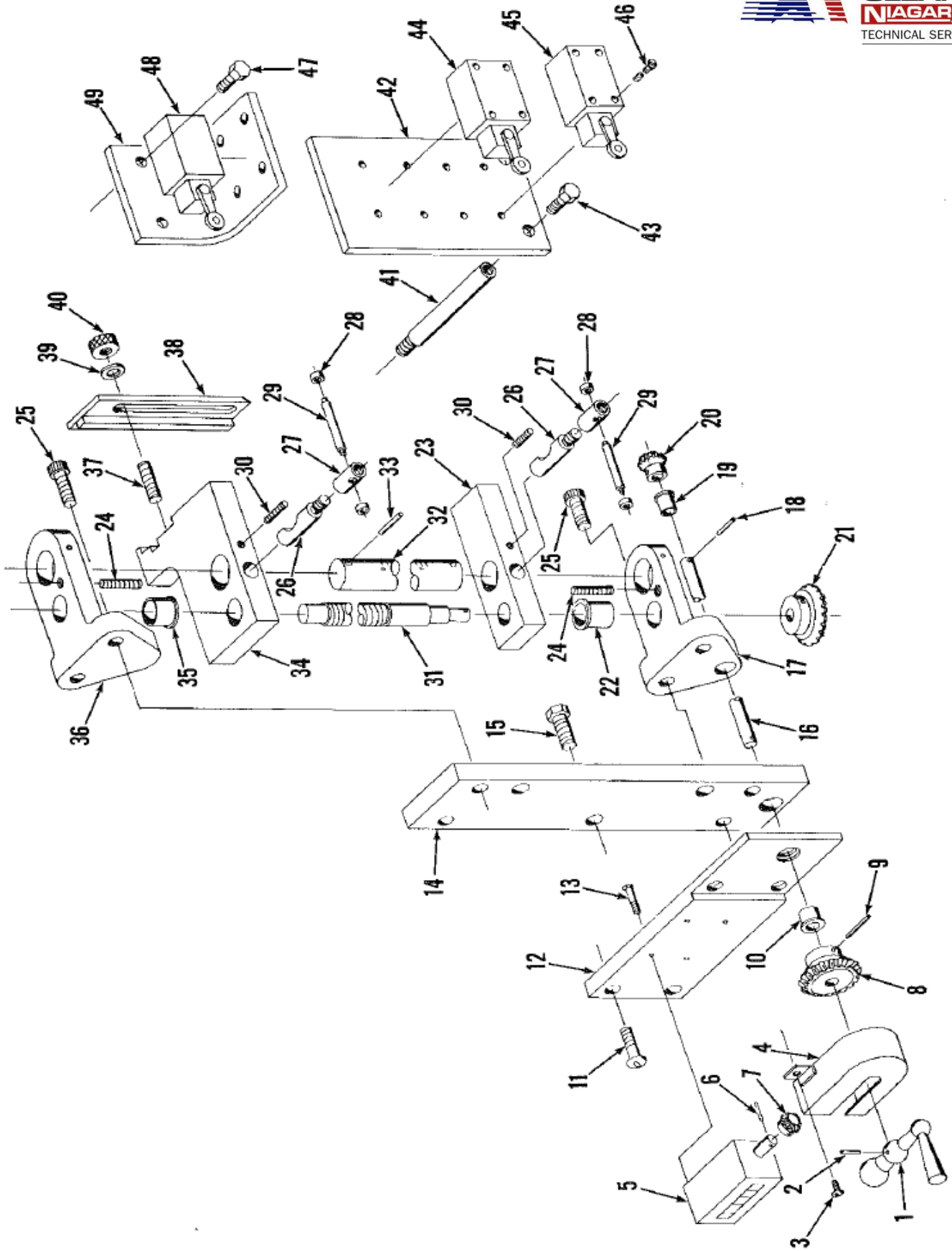


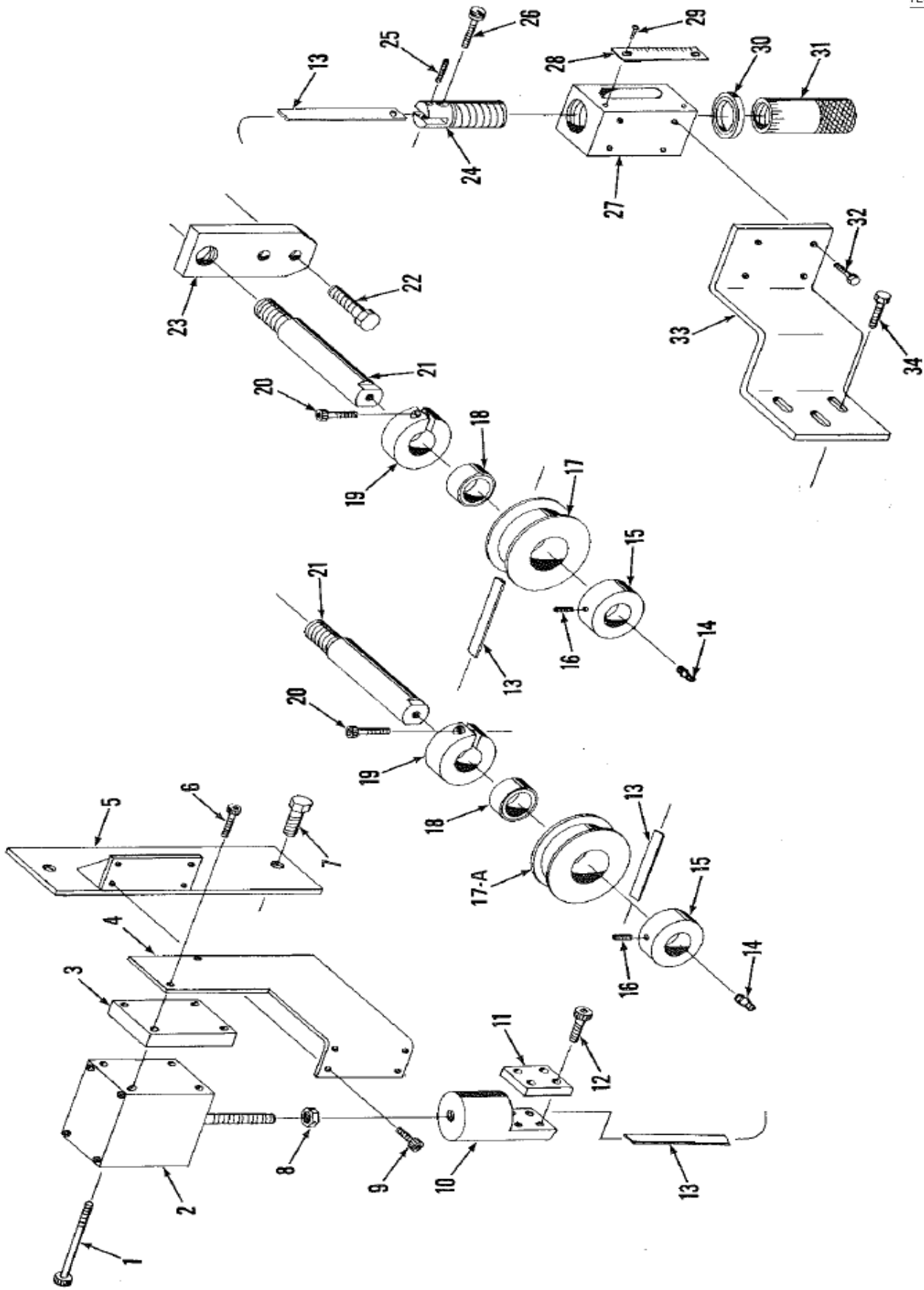
FRAME

- | | | | |
|-----|---------------------------|-----|--------------------------------------|
| 1. | Hydraulic Manifold & Pump | 24. | Capscrew |
| 2. | Reservoir Cover | 25. | Set Screw |
| 3. | Gasket | 26. | Lock Nut |
| 4. | Mounting Bolt | 27. | Adjusting Block |
| 5. | Mounting Bolt | 28. | Foot Switch |
| 6. | Seal | 29. | R. H. Gib |
| 7. | Inspection Doors | 30. | Inner Pivot Block |
| 8. | "O" Ring | 31. | Safety Rail |
| 9. | Clevis | 32. | Pillow Block |
| 10. | Pin | 33. | Mounting Bolt |
| 11. | Snap Ring | 34. | Mounting Bolt |
| 12. | Frame | 35. | Die Clamp |
| 13. | Control Box | 36. | Spring |
| 14. | Mounting Bolt | 37. | Ram |
| 15. | Limit Switch Assembly | 38. | Ram Liner (Both R.H. and L.H. sides) |
| 16. | Filler Block | 39. | Mounting Screw |
| 17. | Mounting Bolt | 40. | Mounting Screw |
| 18. | Capscrew | 41. | Gib Liner (Both R.H. and L.H. sides) |
| 19. | Set Screw | 42. | L. H. Gib |
| 20. | Pivot Block Retainer | 43. | Filler Block Mounting Bolt |
| 21. | Outer Pivot Block | 44. | Washer |
| 22. | Pivot Shoe | 45. | Cylinder |
| 23. | Mounting Bolt | | |



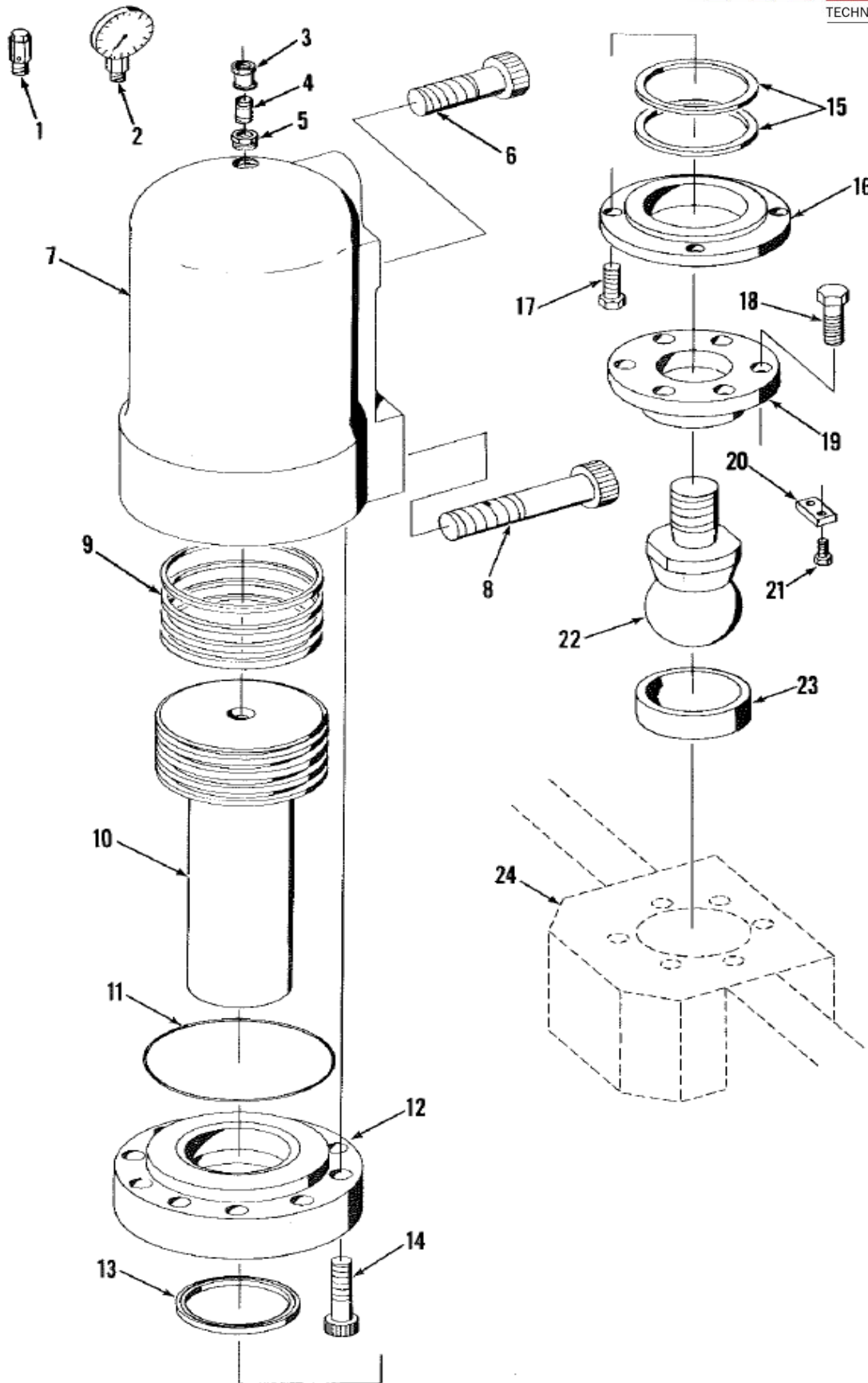
UPPER AND LOWER LIMIT ASSEMBLY

- | | | | |
|-----|------------------------|-----|-----------------------------|
| 1. | Handle | 26. | Clamp Bolt |
| 2. | Roll Pin | 27. | Clamp Nut |
| 3. | Screw | 28. | Stop |
| 4. | Gear Cover | 29. | Handle |
| 5. | Counter | 30. | Set Screw |
| 6. | Roll Pin | 31. | Screw |
| 7. | Bevel Gear | 32. | Gage Rod |
| 8. | Bevel Gear | 33. | Roll Pin |
| 9. | Roll Pin | 34. | Upper Stop Block |
| 10. | Bushing | 35. | Bushing |
| 11. | Button Head Screw | 36. | Upper Gage Rod Bracket |
| 12. | Counter Bracket | 37. | Set Screw |
| 13. | Screw | 38. | Cam |
| 14. | Mounting Plate | 39. | Washer |
| 15. | Bolt | 40. | Knurled Nut |
| 16. | Shaft | 41. | Bracket Support |
| 17. | Lower Gage Rod Bracket | 42. | Limit Switch Mounting Plate |
| 18. | Roll Pin | 43. | Bolt |
| 19. | Bushing | 44. | Limit Switch |
| 20. | Bevel Gear | 45. | Limit Switch |
| 21. | Bevel Gear | 46. | Mounting Screw |
| 22. | Bushing | 47. | Mounting Bolt |
| 23. | Lower Stop Block | 48. | Limit Switch |
| 24. | Set Screw | 49. | Limit Switch Bracket |
| 25. | Capscrew | | |



RAM LEVEL CONTROL

1. Capscrew
2. Valve
3. Sub Plate
4. Valve Bracket Adaptor
5. Valve Bracket
6. Capscrew
7. Mounting Bolt
8. Nut
9. Capscrew
10. Tape Clamp Adaptor
11. **Tape Clamp**
12. Capscrew
13. Tape
14. Grease Fitting
15. Collar
16. Set Screw
17. R.H. Tape Pulley
- 17A L.H. Tape Pulley
18. Bearing
19. Locking Collar
20. Capscrew
21. Pulley Shaft
22. Mounting Bolt
23. Pulley Mounting Bracket
24. Tape Adjustment Screw
25. Set Screw
26. Indicator
27. Screw Housing
28. Tilt Adjust Scale
29. Screw
30. Bearing
31. Adjusting Knob
32. Mounting Bolt
33. Tilt Adjust Bracket
34. Mounting Bolt



CYLINDER ASSEMBLY

1. Bleeder Valve
2. Test Gauge
3. Socket
4. Nipple
5. Plug
6. Capscrew
7. Cylinder*
8. Capscrew
9. Piston Ring
10. Piston*
11. "O" Ring
12. Cylinder Cap
13. Rod Seal
14. Capscrew
15. Modular Bearing
16. Packing Gland
17. Mounting Bolt
18. Mounting Bolt
19. Ball Screw Cap
20. Ball Screw Lock
21. Mounting Bolt
22. Ball Screw
23. Ball Seat
24. Ram

* Specify R.H. or L.H.